



G5Z-ACC-TLT



**(Ordered separately)
(Laptop not included)**

PROLIFT

Elevate Your Workspace

www.joromfg.com www.proliftstand.com

COPYRIGHT 2014



Thank you for purchasing a Pro-LIFT G5Z-ACC-TLT. The Pro-LIFT product line is designed to enhance your interactive whiteboards and projectors or LCD. Please follow all assembly instructions correctly to provide optimal use.

Before continuing further, please view and download the Use and Care Manual can by visiting www.proliftstand.com.

Only a qualified contractor should install the Pro-LIFT G5Z-ACC-TLT. If you do not understand any of the assembly instructions, please contact your local re-seller or visit www.proliftstand.com.

IMPROPER INSTALLATION CAN CAUSE DAMAGE TO YOUR Pro-LIFT AND LEAD TO SERIOUS PHYSICAL INJURY. JORO Manufacturing cannot take any responsibility for damage or injury resulting from improper installation.

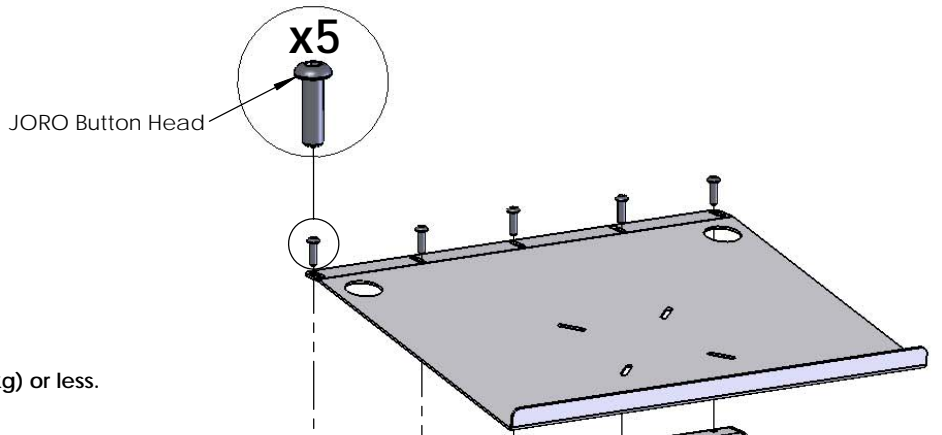
Do not operate Pro LIFT G5Z if there are any obstructions below or above the board. Doing so may cause unit malfunction or lead to serious physical injury.

The supplied mounting hardware is for use on the Pro-LIFT stands only. If you encounter any problems or insufficient hardware during installation, please contact your local re-seller.

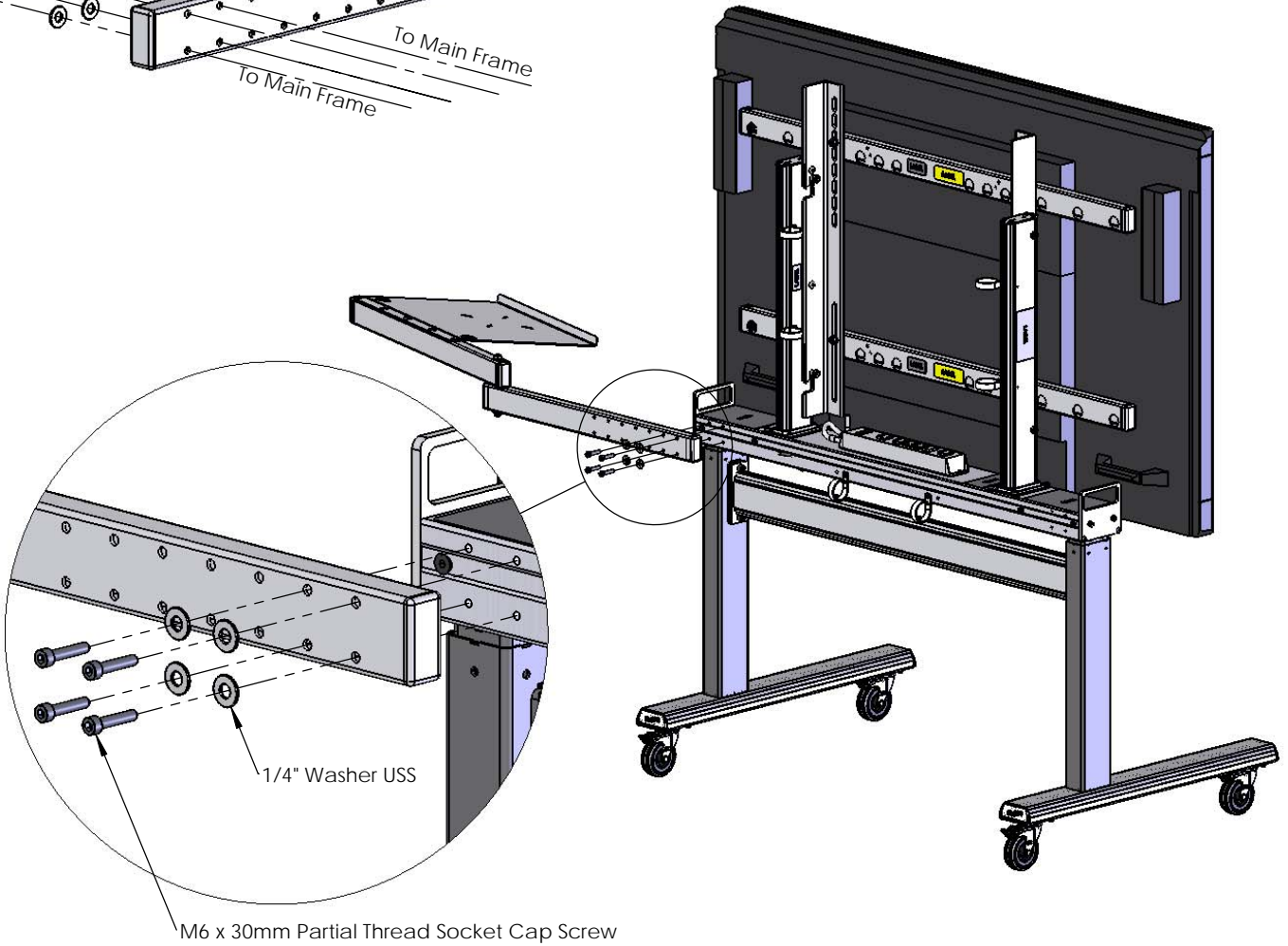
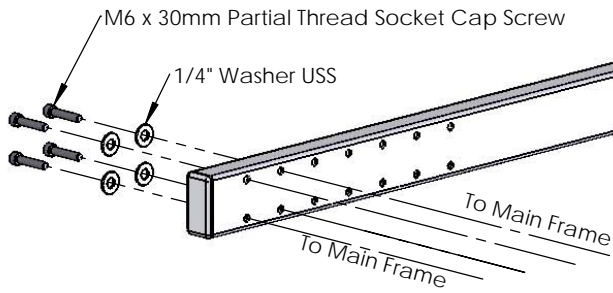
The following figure show the label found on the G5ZL unit.



Figure 1: Laptop Tray Maximum Load Capacity



WARNING! Laptop Tray
Maximum load capacity 15 lbs. (7 kg) or less.



PROLIFT

Elevate Your Workspace

www.joromfg.com

www.proliftstand.com

COPYRIGHT 2017



CUSTOMER SATISFACTION SURVEY

JORO Manufacturing would like to know what you think about our Pro-LIFT product line, so we can continue to provide you with best product/service we can. Please help us by taking a few moments to fill out the survey below.

1. What are the two things you like most about our product/service?

.....
.....

2. Would you recommend our product/service to a friend?

Yes No

3. If so, what reason would you give them for the recommendation?

.....
.....
.....

4. Have you bought other products/services like ours?

Yes (Please give details).....

No

5. Why did you buy those particular products/services?

.....
.....

6. Why did you stop buying those products/services to buy ours?

.....
.....

7. On a scale of 1 to 10, with 1 being not at all satisfied and 10 extremely satisfied, where would you rank your experience with our product/service? (Please circle one)

1 2 3 4 5 6 7 8 9 10

Thank you. Now please return the completed survey to JORO Manufacturing:

JORO Manufacturing Ltd.

48 East Lake Green NE

Airdrie, AB, Canada

T4A 2J2

Or email: inquiries@joromfg.com

PROLIFT Elevate Your Workspace