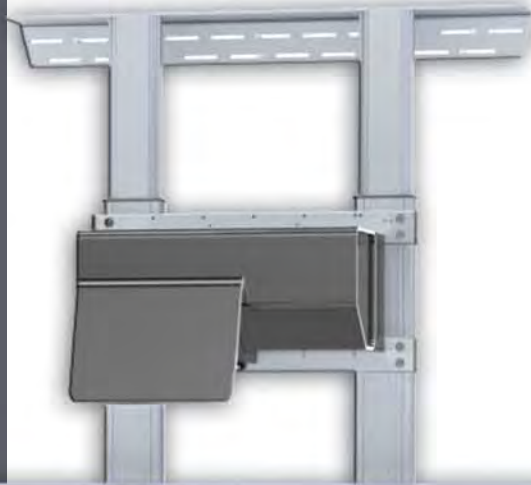


**PROLIFT**

Featured Product:

**WM**

# Integrated Wall Mount Solutions for Digital Boards & Projection Systems





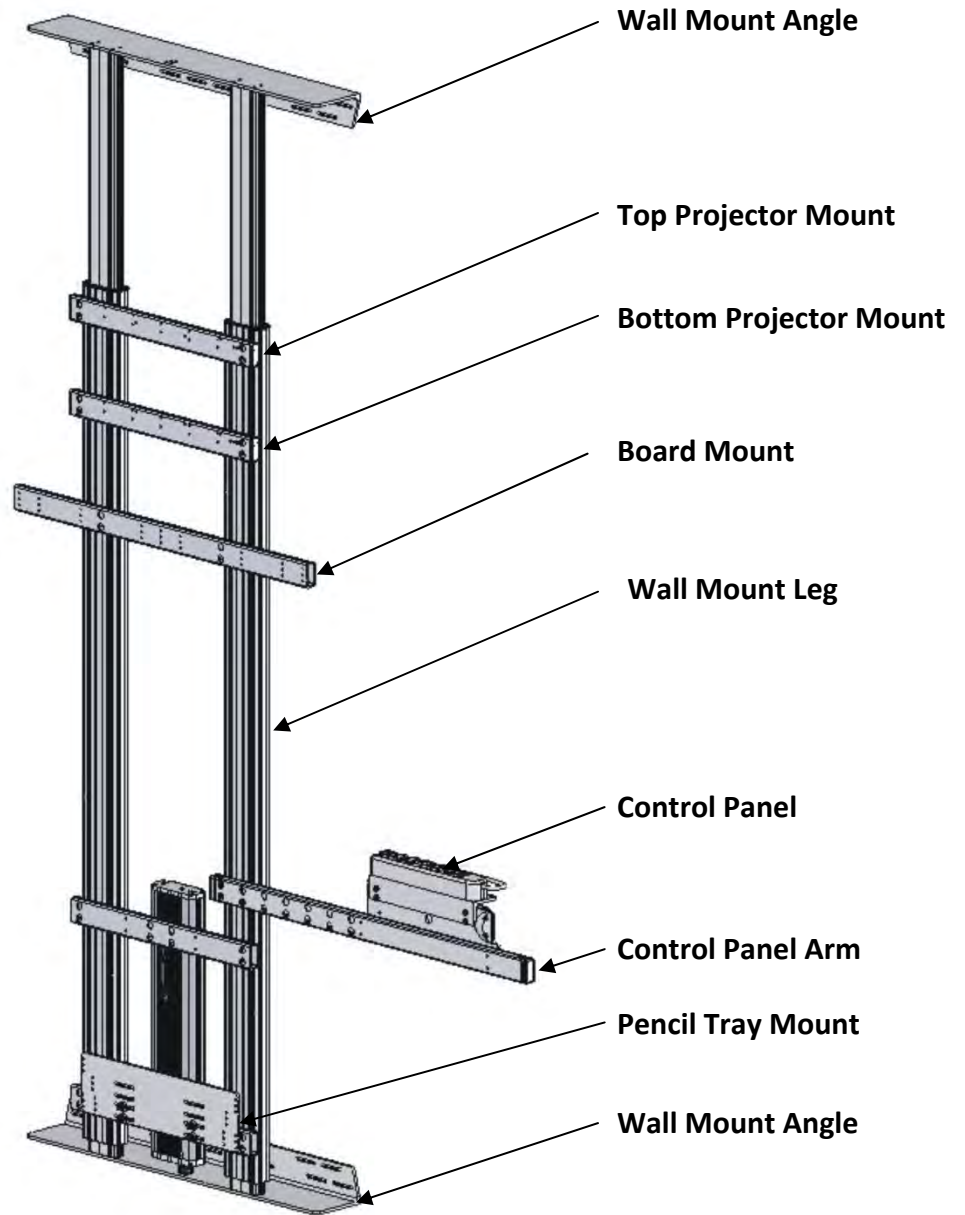
Thank you for purchasing a Pro-LIFT G4U-WM. The Pro-LIFT product line is designed to enhance your interactive whiteboards and projectors. Please follow all assembly instructions correctly to provide optimal use.

Only a qualified contractor should install the Pro-LIFT G4U-WM. If you do not understand any of the assembly instructions, please contact your local re-seller or visit [www.proliftstand.com](http://www.proliftstand.com).

IMPROPER INSTALLATION CAN CAUSE DAMAGE TO YOUR Pro-LIFT AND LEAD TO SERIOUS PHYSICAL INJURY. JORO Manufacturing cannot take any responsibility for damage or injury resulting from improper installation.

The supplied mounting hardware is for use on the Pro-LIFT stands only. If you encounter any problems or insufficient hardware during installation, please contact your local re-seller.

# Pro-LIFT G4U WM Assembly Sheet



## OPEN BOX and IDENTIFY ALL PARTS!!



A - 12pcs  
(#12x2 lg.)



C - 6pcs  
(M6x8mm lg.)



F - 6pcs  
(Nylon Washer)



H - 5/32 Hex Key  
1 pc



K - 4pcs  
(SL-607 End Cap)



B - 6pcs  
(M6x14mm lg.)



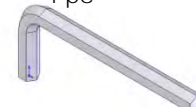
D - 16pcs  
(JORO Button - 3/4 lg.  
Thread Forming)



E - 2pcs  
(1/4-20 x 3/8 lg.)



G - 6pcs  
(Machine Screw  
Insulator)

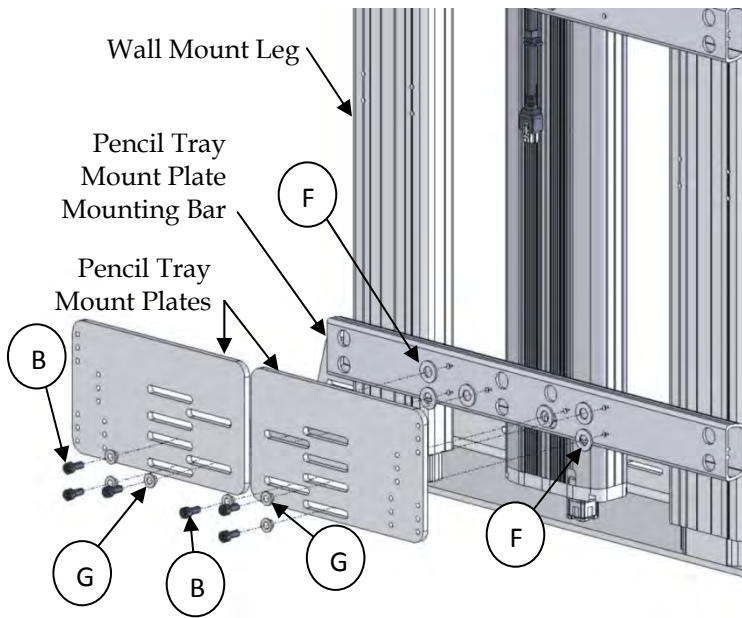


J - 5mm Hex Key  
1 pc



L - 4pcs  
(SB-WM Backer)

# Pro-LIFT G4U WM Assembly Sheet



## STEP 1

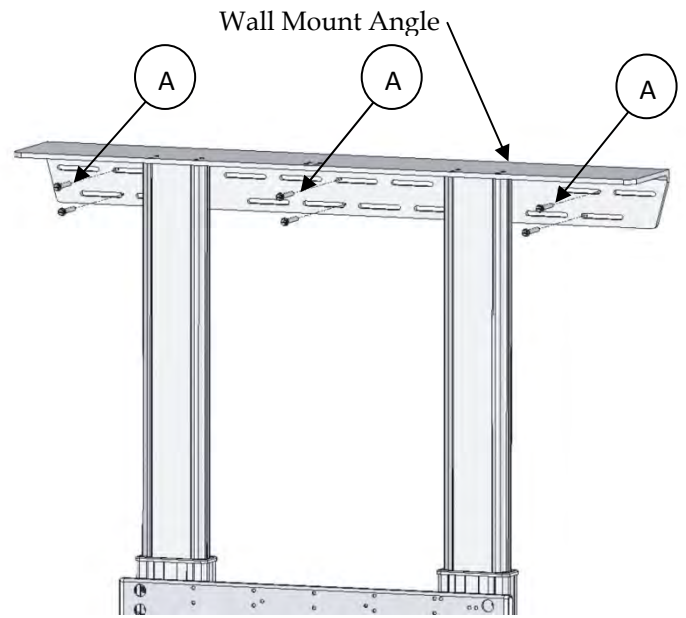
### Install Pencil Tray Mount Plate

(Requires 4 bolts, insulators and washers)

Align the corresponding holes on the pencil tray mount plate mounting bar to the top two slots or the bottom two slots on the pencil tray mount that suit your board.

For ease of installation, do this step while Pro-LIFT Wall Mount is lying down.

**BE SURE TO NOT OVER TIGHTEN!**



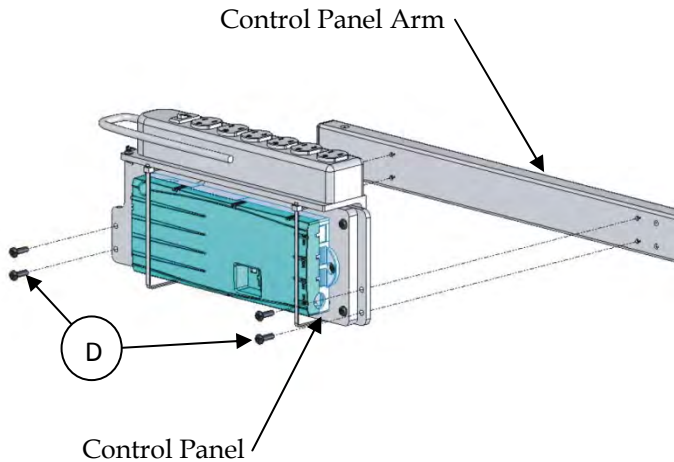
## STEP 2

### Install Pro-LIFT Wall Mount

(Requires 6 screws per wall mount angle)

The combined weight of the Pro-LIFT Wall Mount, board and projector is approx. 150 lbs. (68 kg). Ensure your wall is capable of supporting this weight. JORO recommends fastening a 3/4" plywood mounting surface to existing wall to distribute weight.

Locate the studs on the wall and fasten the angle using the corresponding slots. Be sure to fasten the top angle first. Repeat above for the bottom angle!



## STEP 3

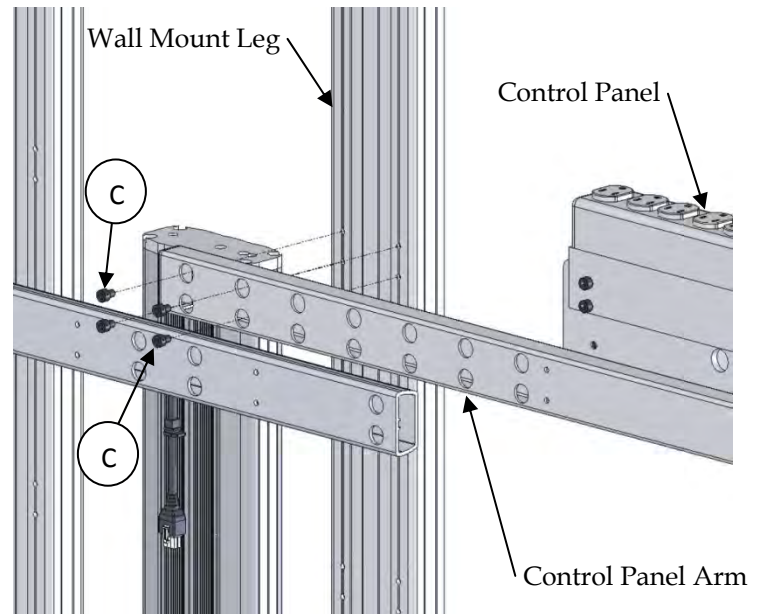
### Install Control Panel to Control Panel Arm

(Requires 4 bolts)

Locate the four holes on the control panel plate and align with the four holes on the control panel arm. Be sure counter-bore holes are facing away from control panel.

Fasten control panel to control panel arm using the bolts as per diagram above.

**BE SURE TO NOT OVER TIGHTEN!**



## STEP 4

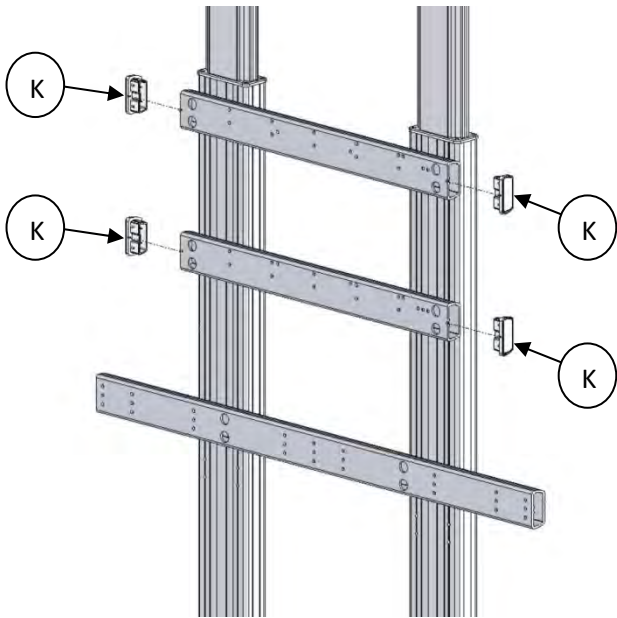
### Install Control Panel Arm to Wall Mount

(Requires 4 bolts)

Locate the four counter bore holes on the control panel arm which extend the control panel out enough for the user to reach the switch and power bar. Align these holes with the four holes on the Pro-LIFT Wall Mount and fasten as shown above.

**BE SURE TO NOT OVER TIGHTEN!**

# Pro-LIFT G4U WM Assembly Sheet



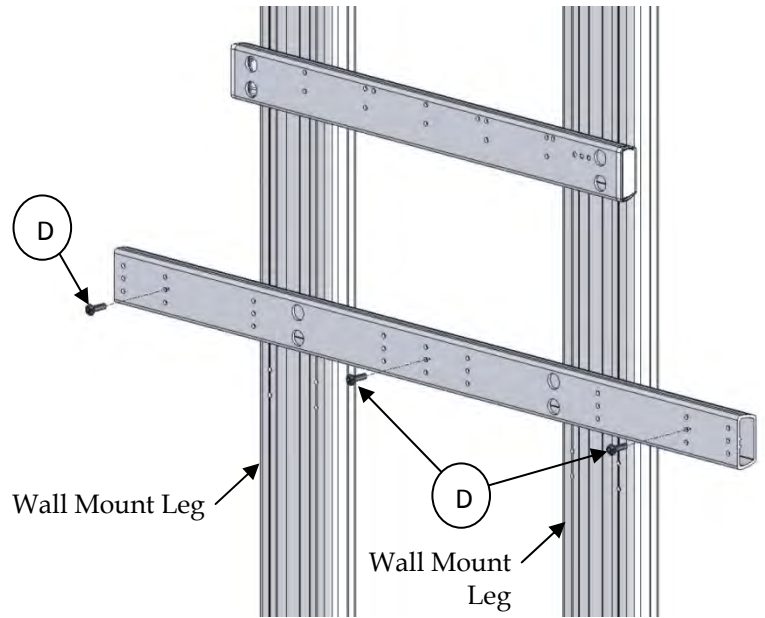
## STEP 5

### Install Projector Mount End Caps

(Requires 4 End Caps)

Align the end cap with the end of the projector mount.

Insert end cap into end of projector mount and gently tap with rubber mallet.



## STEP 6

### Install SMART Board Hanger

(As per manufacturer's specification)

For 1 Hanger/Requires 3 bolts - For 2 Hangers/Requires 6 bolts

Use holes which correspond to manufacturers recommended projector to image distance. Note there are drilled/tapped holes on the wall mount leg if lowering the board is required.

**BE SURE TO NOT OVER TIGHTEN IF LOWERING BOARD MOUNT!**

## STEP 7

### Install Projector

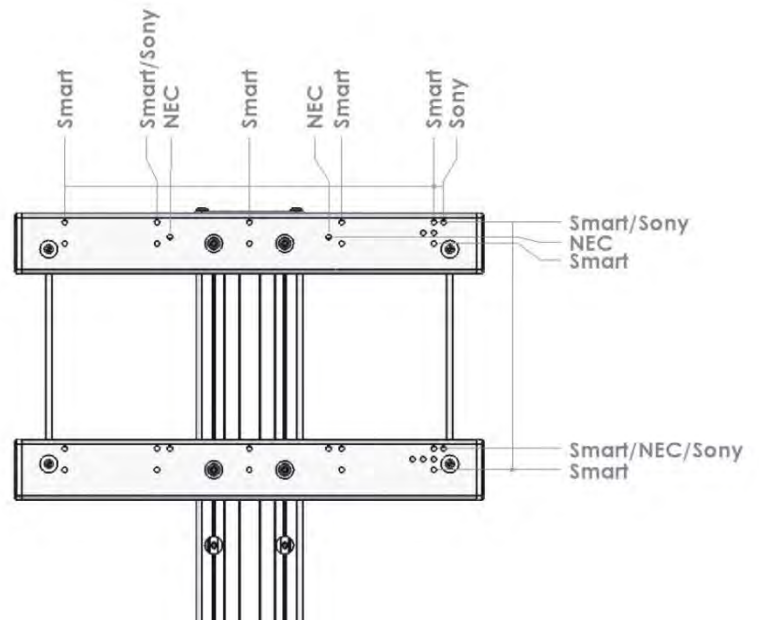
(Requires 4/6 screws depending on projector)

Match the holes to the projection system in the diagram to the right.

Fasten your projector to the corresponding holes using the JORO button head screws supplied by JORO.

Note: Projector mount bars may not be exactly as shown.

**BE SURE TO NOT OVER TIGHTEN!**



## STEP 8

### Attach Cable Management Trough

(Requires 2 Cable Management Troughs)

JORO recommends attaching the two cable management troughs supplied.

Remove the film from the double sided tape and attach one on the back side of both wall mount legs.

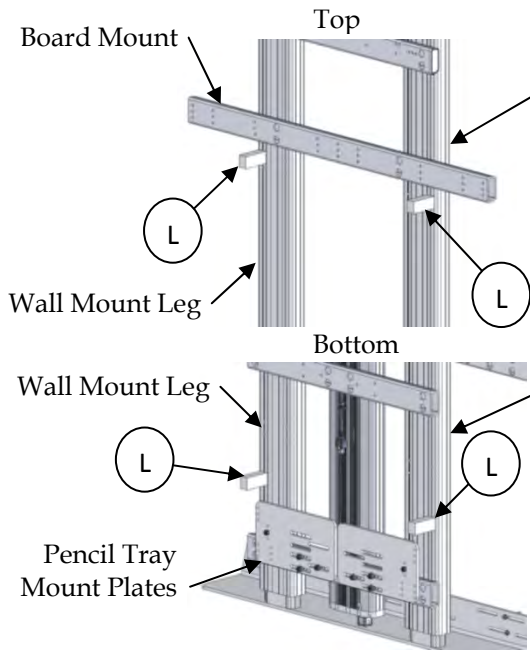
# PROLIFT

Elevate Your Workspace

www.joromfg.com www.proliftstand.com

COPYRIGHT 2012

# Pro-LIFT G4U WM Assembly Sheet

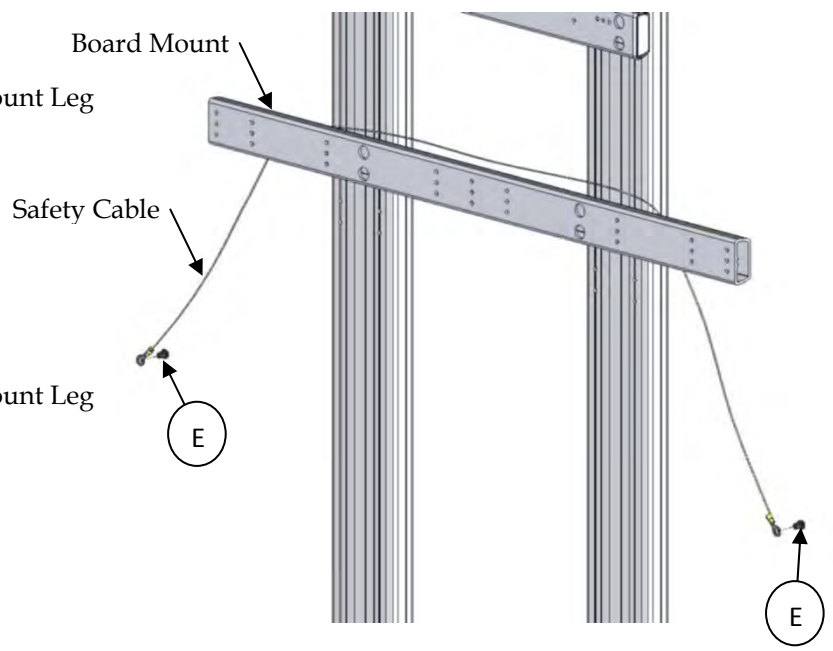


## STEP 9

### Attach SB-WM Backer

(Requires 4 SB-WM Backers)

Remove the film from double sided tape and attach two SB-WM backers approx. 1" below the board mount and to the outer edge of the wall mount leg. Attach the other two SB-WM backers approx. 1" above the pencil tray mount plate and to the outer edge of the wall mount leg.

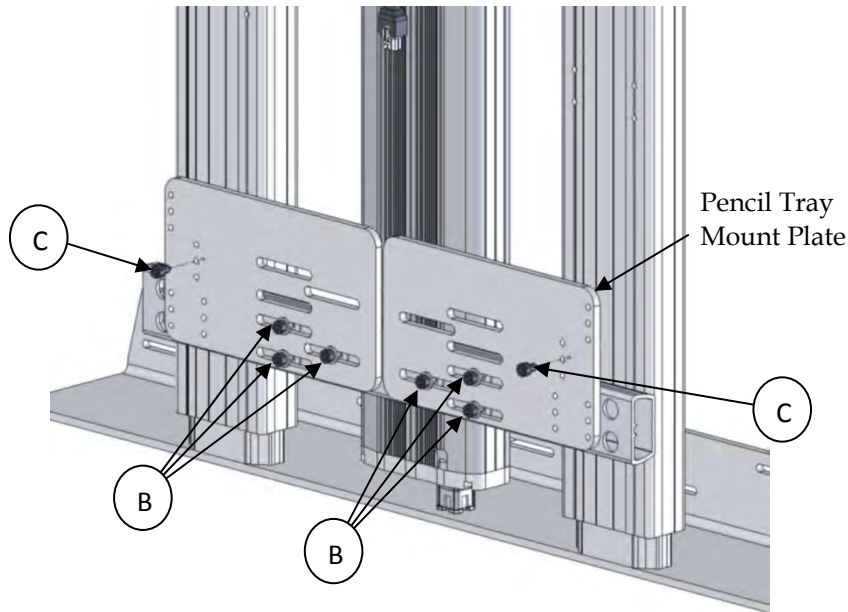


## STEP 10

### Attach Safety Cable

(Requires 1 Cable and 2 bolts)

If the board being used permits the use of the safety cable, fasten one end of the safety cable using the hole provided on the board. Hang the board and then pass the other end of the safety cable behind and across the board mount and then back down to the opposite hole. Fasten the other end. **BE SURE TO NOT OVER TIGHTEN!**



## STEP 11

### Fasten Pencil Tray

(Requires 4 End Caps)

Align the pencil tray mounts on the board with the corresponding holes on the pencil tray mount plate. Fasten using the fasteners supplied by JORO, as shown. **Note:** Depending on the board being used, the other holes may be required to fasten the pencil tray mount. If side shifting is required to align holes to pencil tray, loosen item B and shift to desired location. **BE SURE TO NOT OVER TIGHTEN!**

---

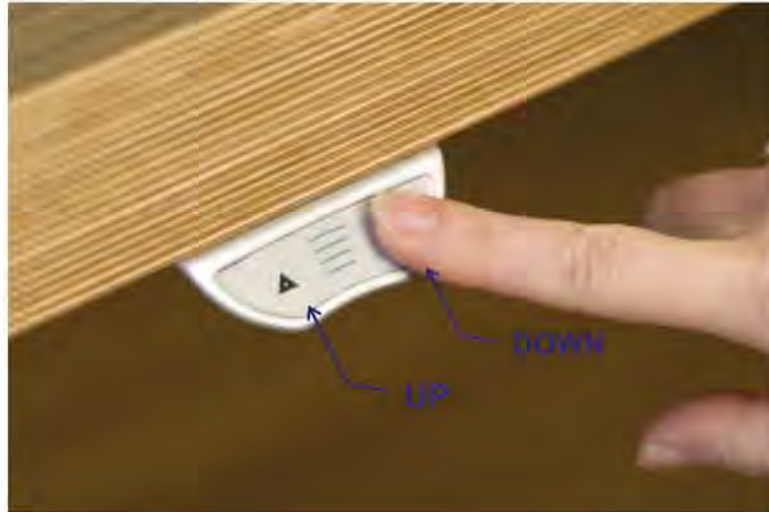
## HOW TO USE YOUR Workstation SWITCH HSM

---

- On startup, please ensure that:

Power cord & motor cables are all plugged in  
Surfaces can move vertically without obstruction

- Drive Up/Down



- Mounting Guidelines:

The HSM can be mounted on the desktop so that the keys are facing upwards and outwards.

- Normal operation:

To run the workstation up or down, press the UP or DOWN button, and keep it pressed until the workstation reaches the desired height.

Workstation will slow down to a soft stop at the end of stroke.

- Reset (May have to preform reset more than once)

This function allows user to reset (initialize) the workstation

**Make sure there are no obstructions in the path of travel of the workstation.**

**Make sure ALL legs are plugged into controller.**

**Make sure there is no obvious cable damage.**

Press and hold down button until workstation reaches lowest height.

Release button and immediately press again and hold for approximately 15 seconds.

Workstation will move downwards and then bounce back upwards approximately 1/2".

The reset sequence is now complete.