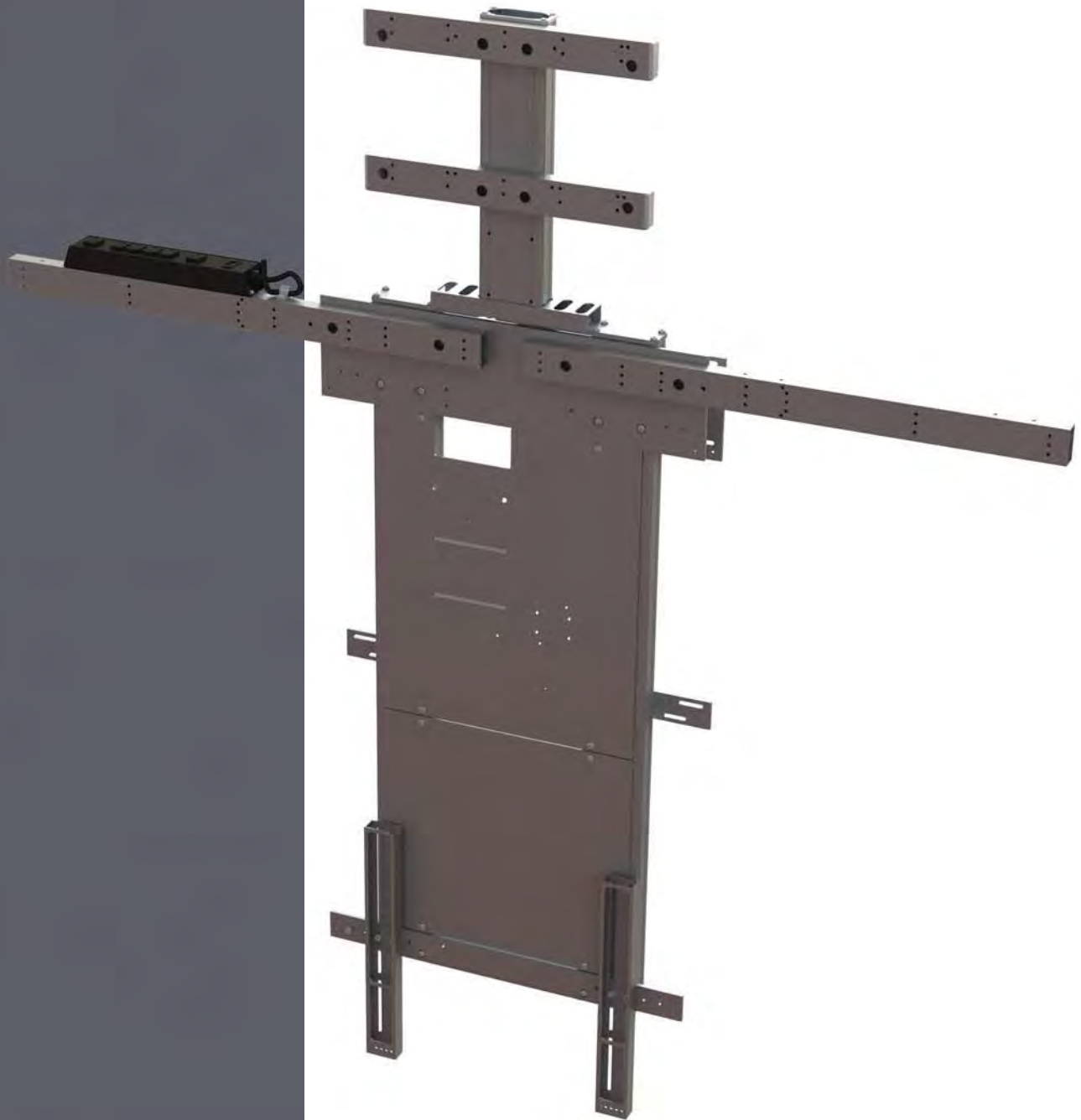


PROLIFT

Featured Product:
WMHS-WB

Integrated Wall Mount Solutions for White Board/Projector Systems





WMHS Main Frame Kit



#8 Zinc Wall Anchor
2x



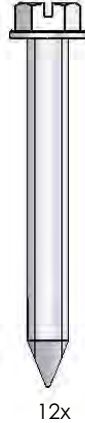
#8 x 3/4" Pan Head Wood Screw
2x



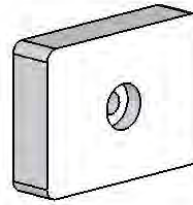
Thread-Cutting Screw (8-32 x 3/8" Lg.)
4x



JORO Button Head
8x



#12 x 2" Slotted Washer
Head Self Tapping Screw
12x



2x

Board Backer Support

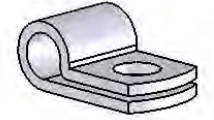


4x

Wire Mgmt Molding



Nylon Cable Clip 5/16"
2x



Nylon Cable Clip 1/4"
2x



5/32" Allen (Hex) Key
1x

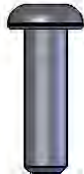
LCD Mount Fastener Kit

(ONLY available with WMHS-LCD Models)



10x

M6x12mm SILVER Button Head



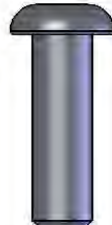
8x

JORO Button Head



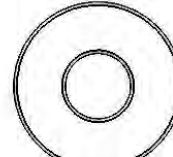
8x

M6 x 20mm Socket Cap Screw
Low Profile



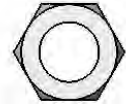
4x

5/16x1" Button Head



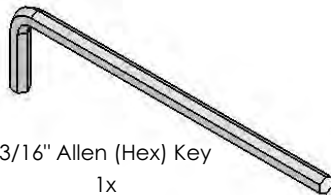
4x

5/16" Washer

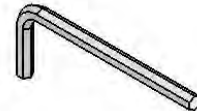


8x

5/16 Hex Nut



3/16" Allen (Hex) Key
1x



5/32" Allen (Hex) Key
1x

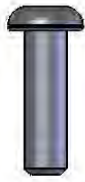
WB Fastener Kit

(ONLY available with WMHS-WB Models)



16x

M6 x 8mm Socket Cap Screw



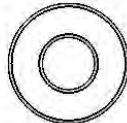
16x

JORO Button Head



18x

M6 x 20mm Socket Cap Screw
Low Profile



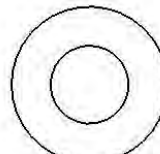
4x

1/4" Washer



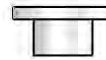
4x

M6 Hex Nut



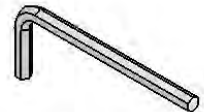
6x

Nylon Washer

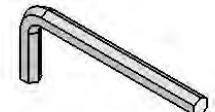


6x

Machine Screw Insulator



5/32" Allen (Hex) Key
1x



M5 Allen (Hex) Key
1x

Note: Parts may not be exactly as shown and not to scale



Elevate Your Workspace

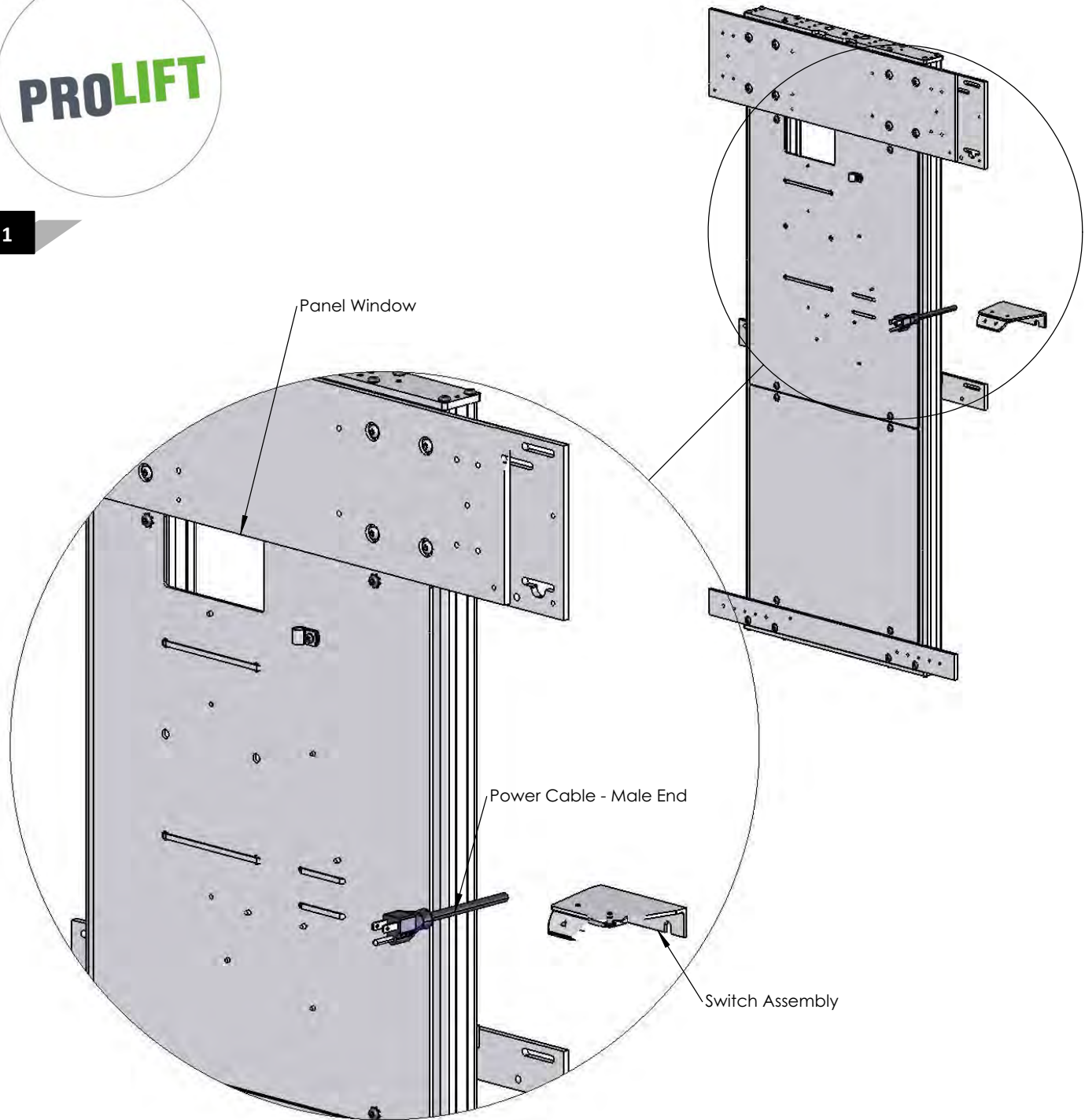
www.joromfg.com

www.proliftstand.com

COPYRIGHT 2017



1



For ease of installation, do this step prior to mounting WMHS



Carefully ease out the power cable and switch assembly through panel window



Be sure to NOT pull with excessive force

PROLIFT Elevate Your Workspace

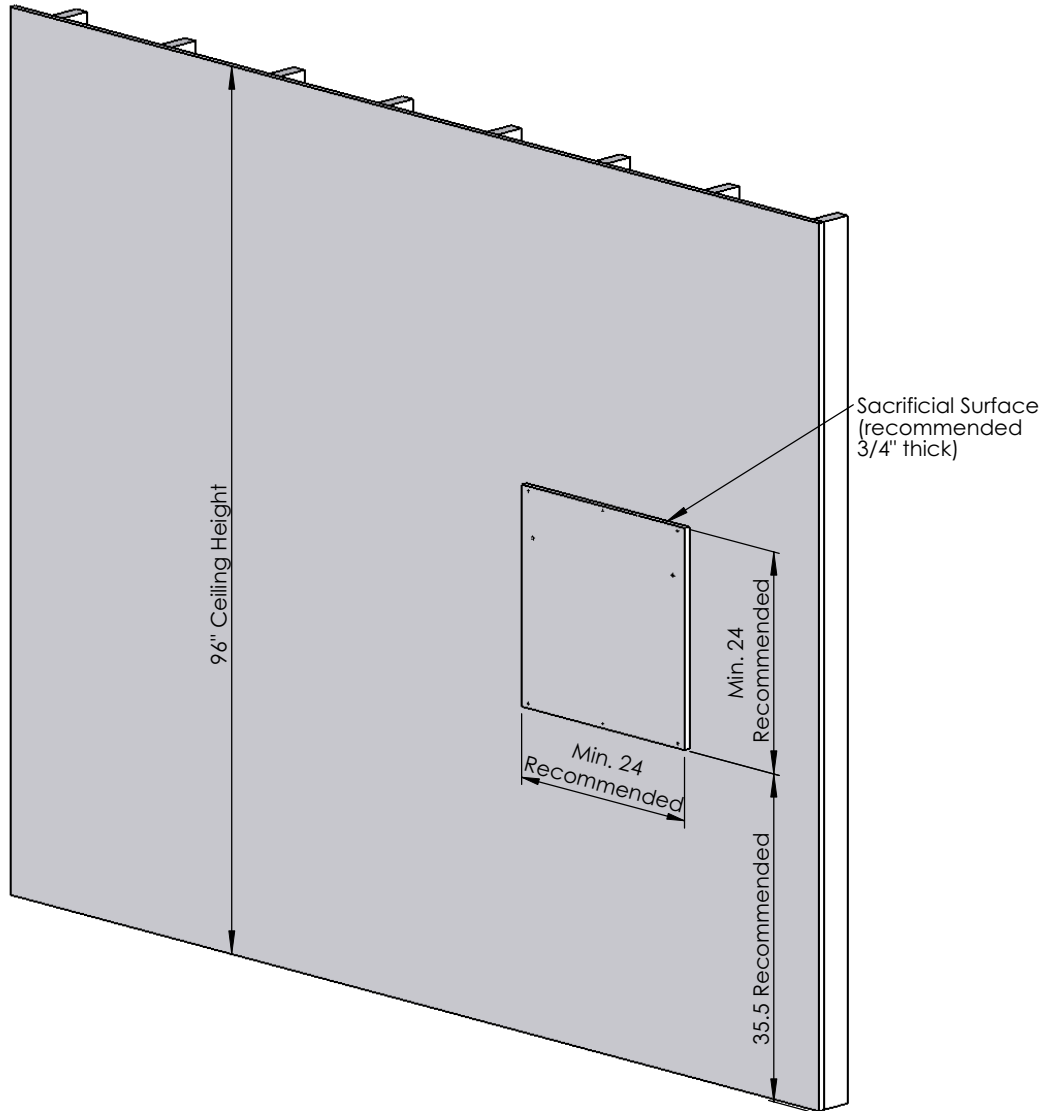
www.joromfg.com

www.proliftstand.com

COPYRIGHT 2017



2



Be sure to fasten Sacrificial Surface to at least three joists

PROLIFT Elevate Your Workspace

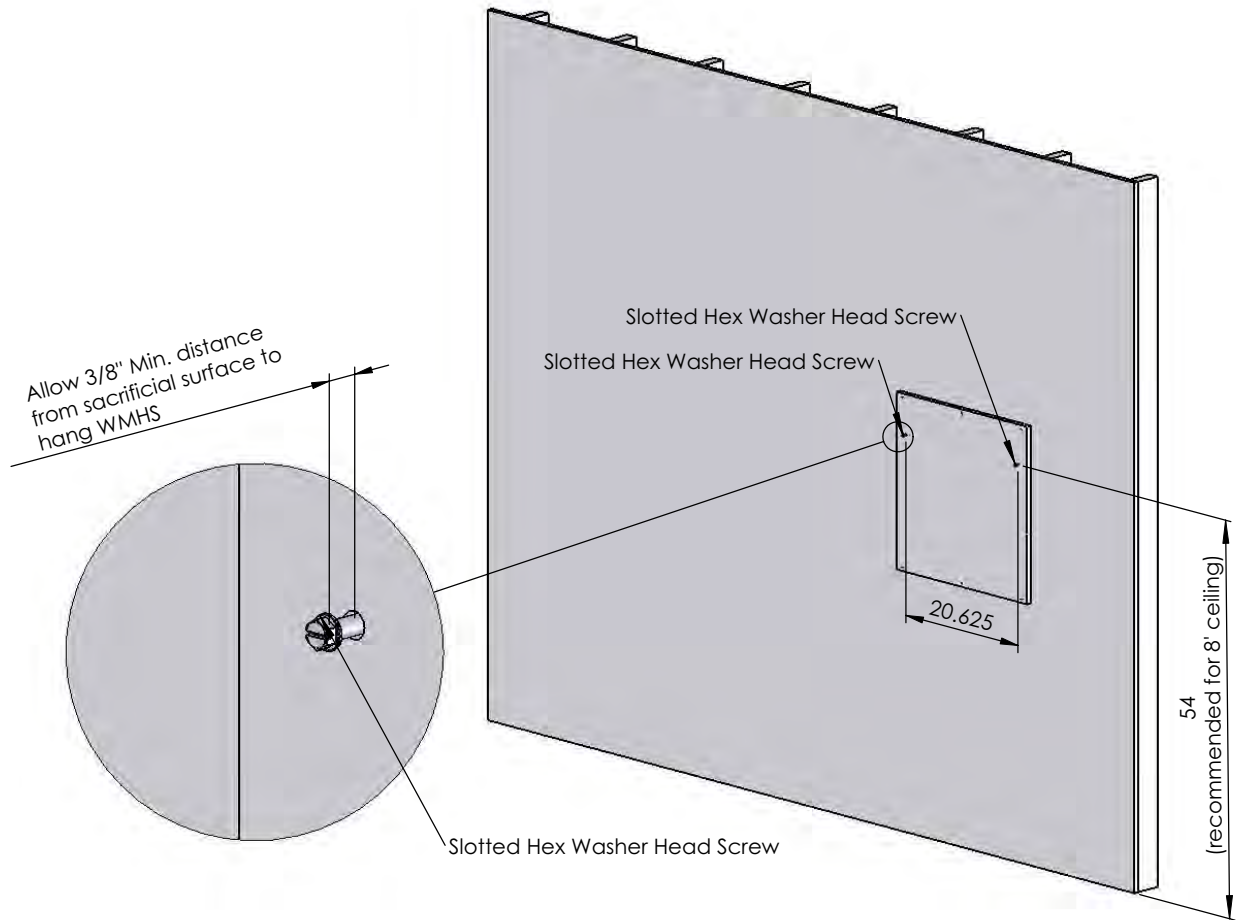
www.joromfg.com

www.proliftstand.com

COPYRIGHT 2017



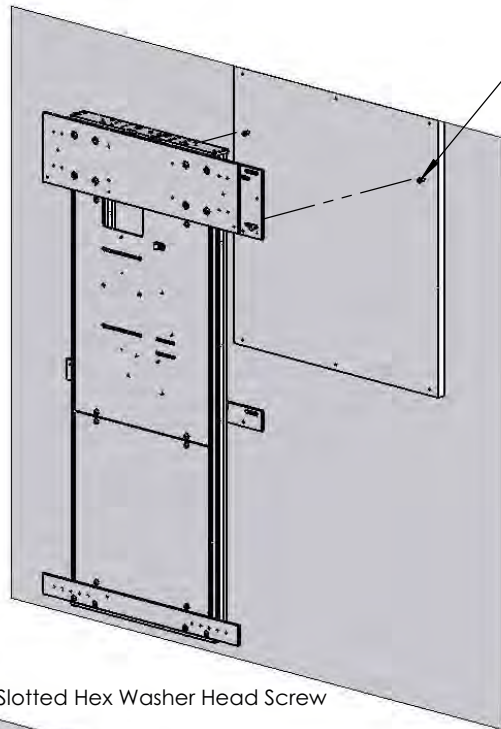
3



- Mark out the two screw locations to hang the WMHS
- Pre-drill pilot holes at the two locations
- Be sure both points are horizontal and level
- Fasten the two Slotted Hex Washer Head Screws in the pre-drilled holes



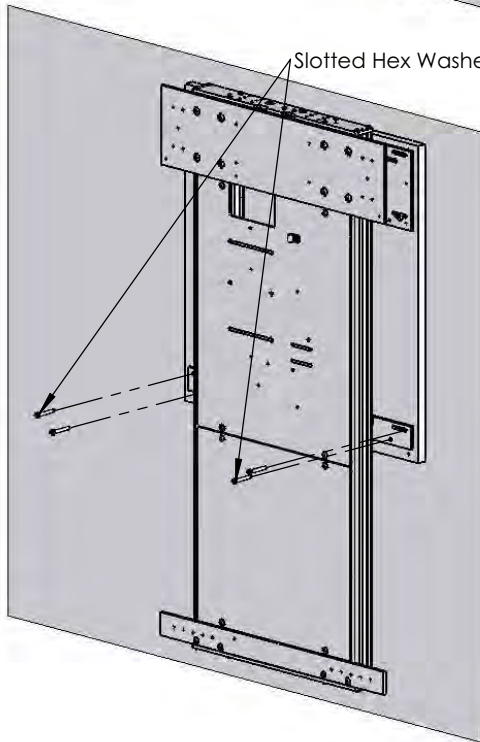
4



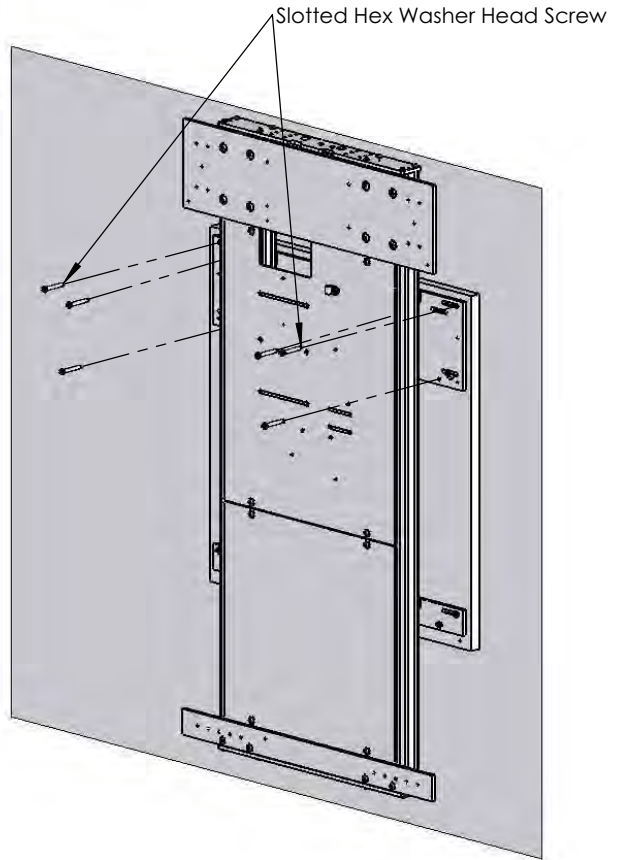
Slotted Hex Washer Head Screw



Hang the WMHS on the two Slotted Hex Washer Head Screw



Slotted Hex Washer Head Screw



Slotted Hex Washer Head Screw



Add the Slotted Hex Washer Head Screws to lower flat bar (2 per either side of WMHS is recommended)



MUST fasten Slotted Hex Washer Head Screws through the hole on the flat bar to prevent sliding



Be sure WMHS is securely fastened to wall by tightening all Slotted Hex Washer Head Screws



Temporarily plug in WMHS and raise the mechanism to access upper flat bar slots



Be sure previous steps are completed and WMHS is securely fastened to wall prior to operation



Add the Slotted Hex Washer Head Screws to upper flat bar (3 per either side of WMHS is recommended)



Be sure WMHS is securely fastened to wall by tightening all Slotted Hex Washer Head Screw



Lower mechanism back to lowest position and unplug before continuing to next step



Elevate Your Workspace

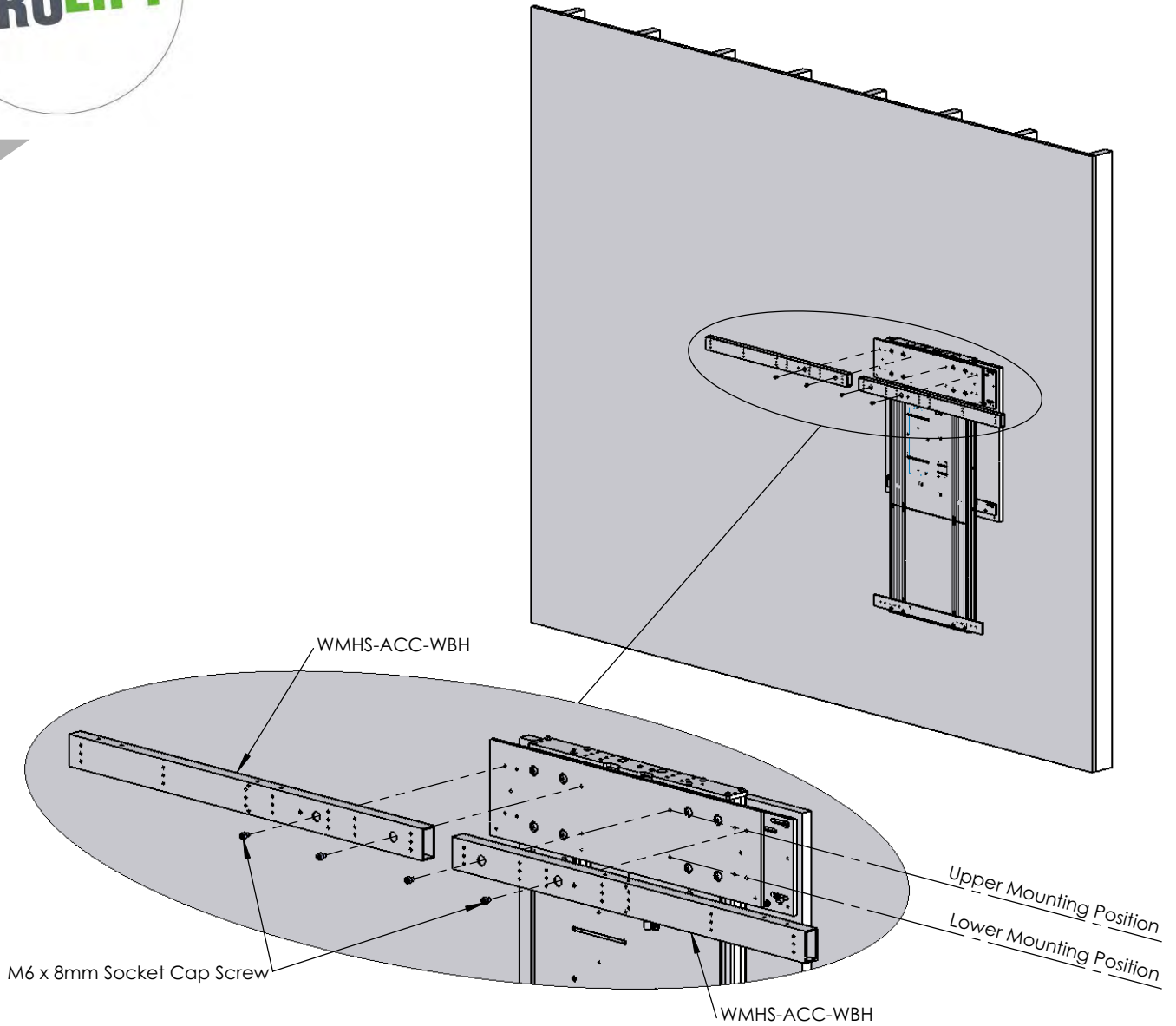
www.joromfg.com

www.proliftstand.com

COPYRIGHT 2017



5



Mount the WB Hangers (WMHS-ACC-WBH)



BE AWARE the mounting position of the WB Hanger is dependant on projector/white board combination



Be sure to use the M6 x 8mm Socket Cap Screw screws provided



Be sure to NOT over tighten



Elevate Your Workspace

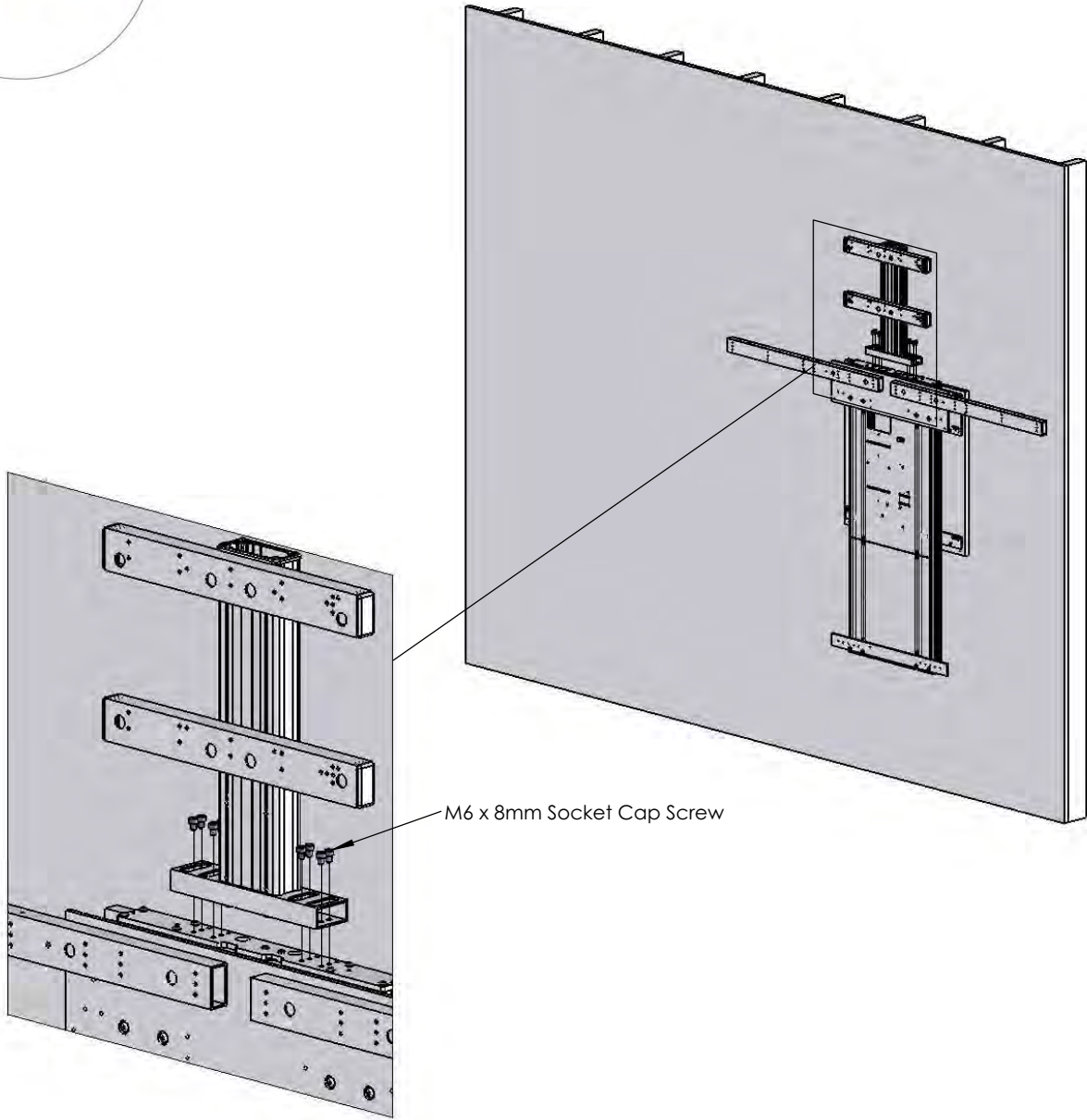
www.joromfg.com

www.proliftstand.com

COPYRIGHT 2017



6



Mount the Turret Head



Be sure to use the M6 x 8mm Socket Cap Screws provided



Be sure to NOT over tighten



Elevate Your Workspace

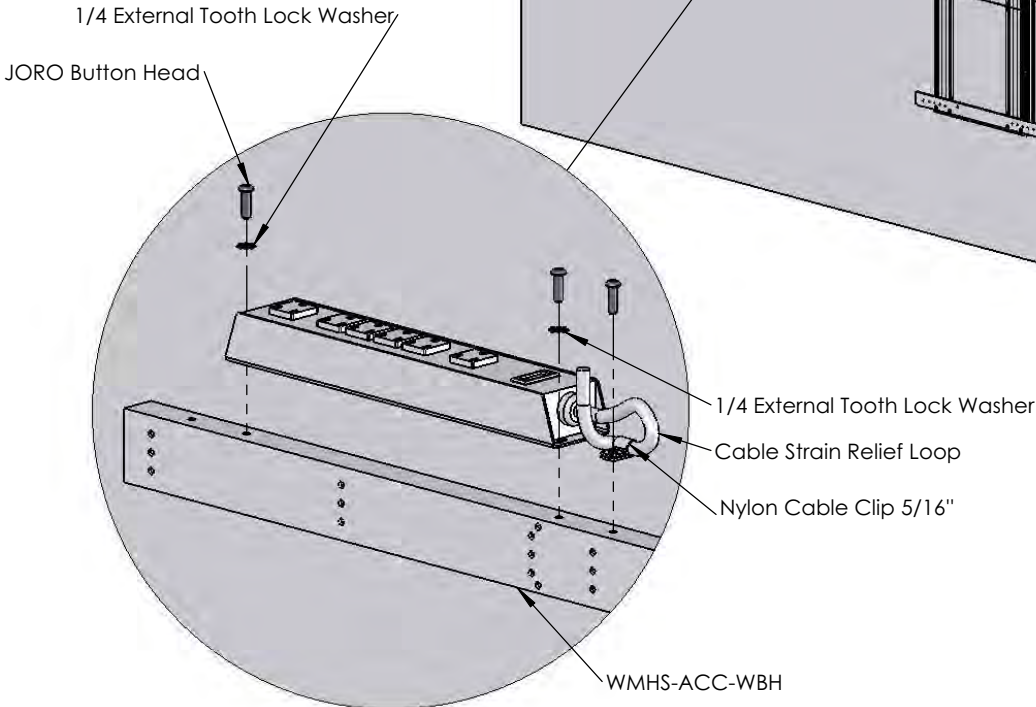
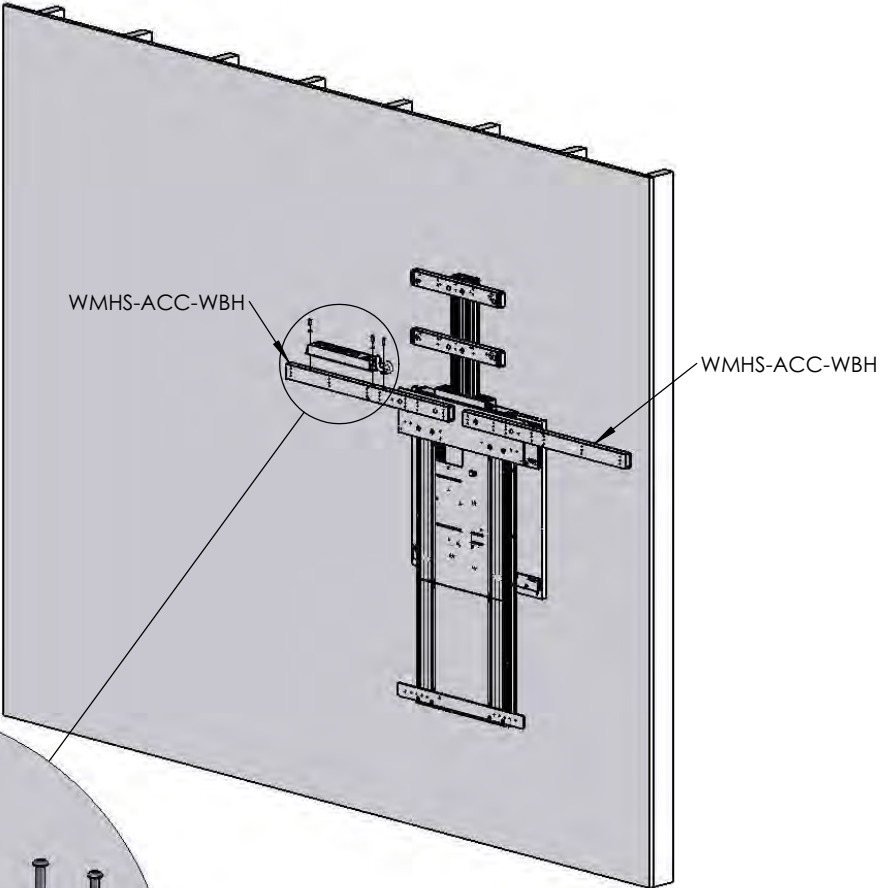
www.joromfg.com






www.proliftstand.com

COPYRIGHT 2017



7

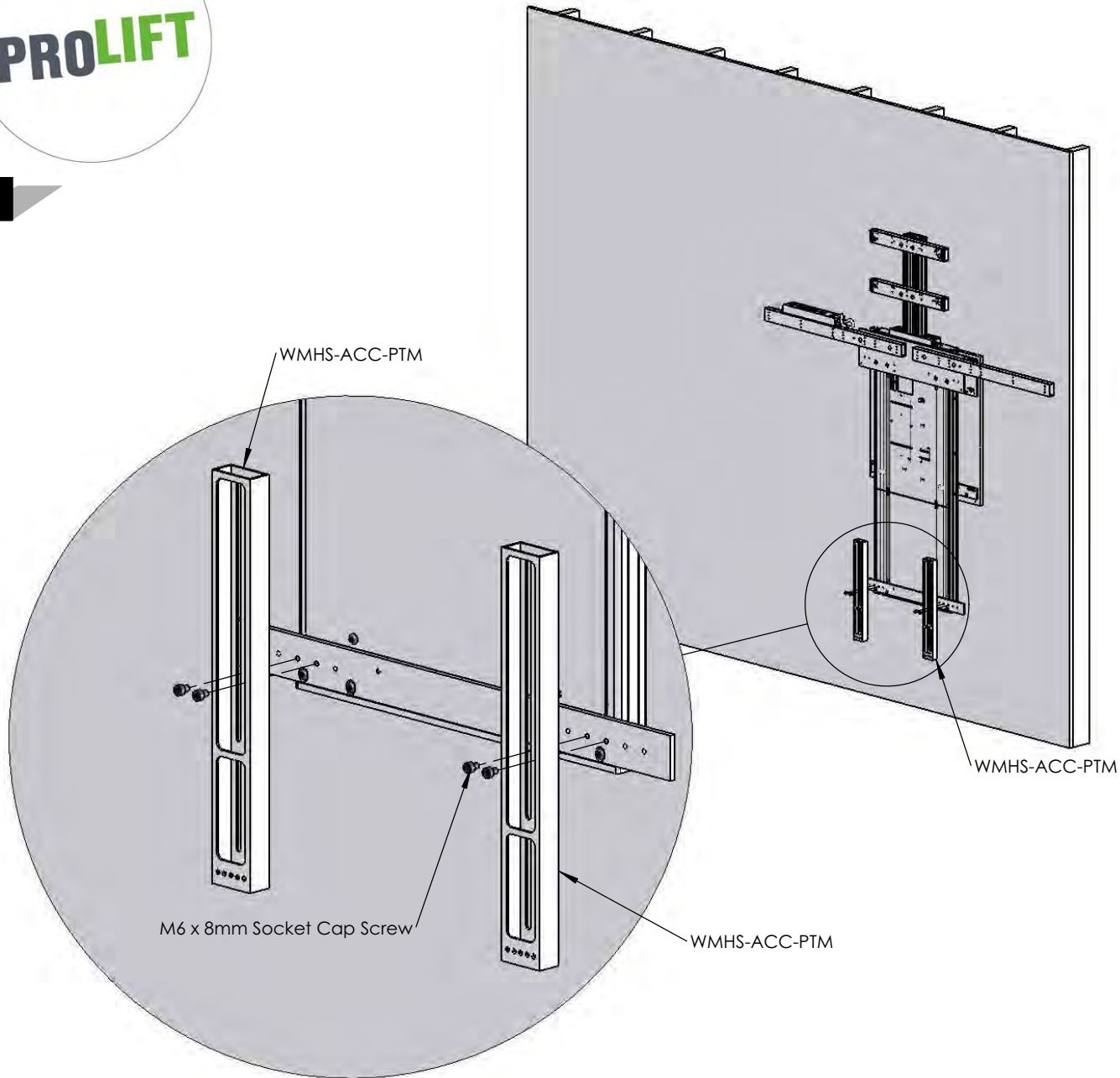


-  Mount the Power Bar (may already be installed)
-  Power bar can be mounted on the other WMHS-ACC-WBH, if required
-  Be sure to use the JORO Button Head Screws and External Tooth Washers provided
-  Be sure to use a cable strain relief loop using Nylon Cable Clip 5/16"
-  Be sure to NOT over tighten

PROLIFT Elevate Your Workspace



8



Mount the Pencil Tray Mounts (WMHS-ACC-PTM)



Mounting position dependant on manufacturers instructions



Be sure to use the M6 x 8mm Socket Cap Screw Screws provided



Loosely fasten the M6 x 8mm Socket Cap Screws to allow WMHS-ACC-PTM to slide once white board has been hung



Be sure to NOT over tighten

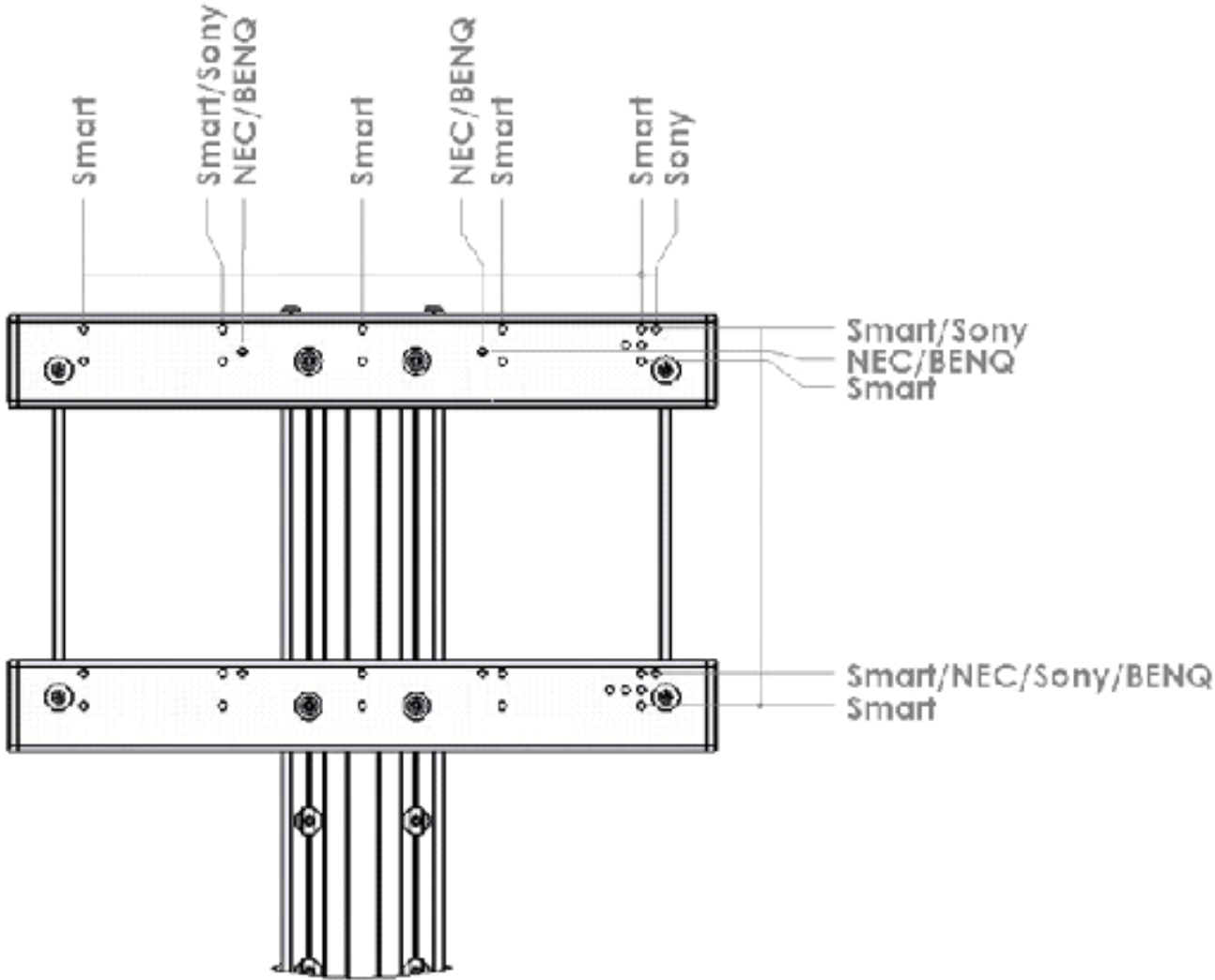


Elevate Your Workspace

www.joromfg.com

www.proliftstand.com

COPYRIGHT 2017



Mounting patterns for tested projectors



Match holes in the diagram to projection system being used



Fasten projector to the corresponding holes using the JORO Button Head Screws supplied



Be sure to NOT over tighten



Elevate Your Workspace



Mount the white board



Use the holes which correspond to manufacturers recommended projector to image distance



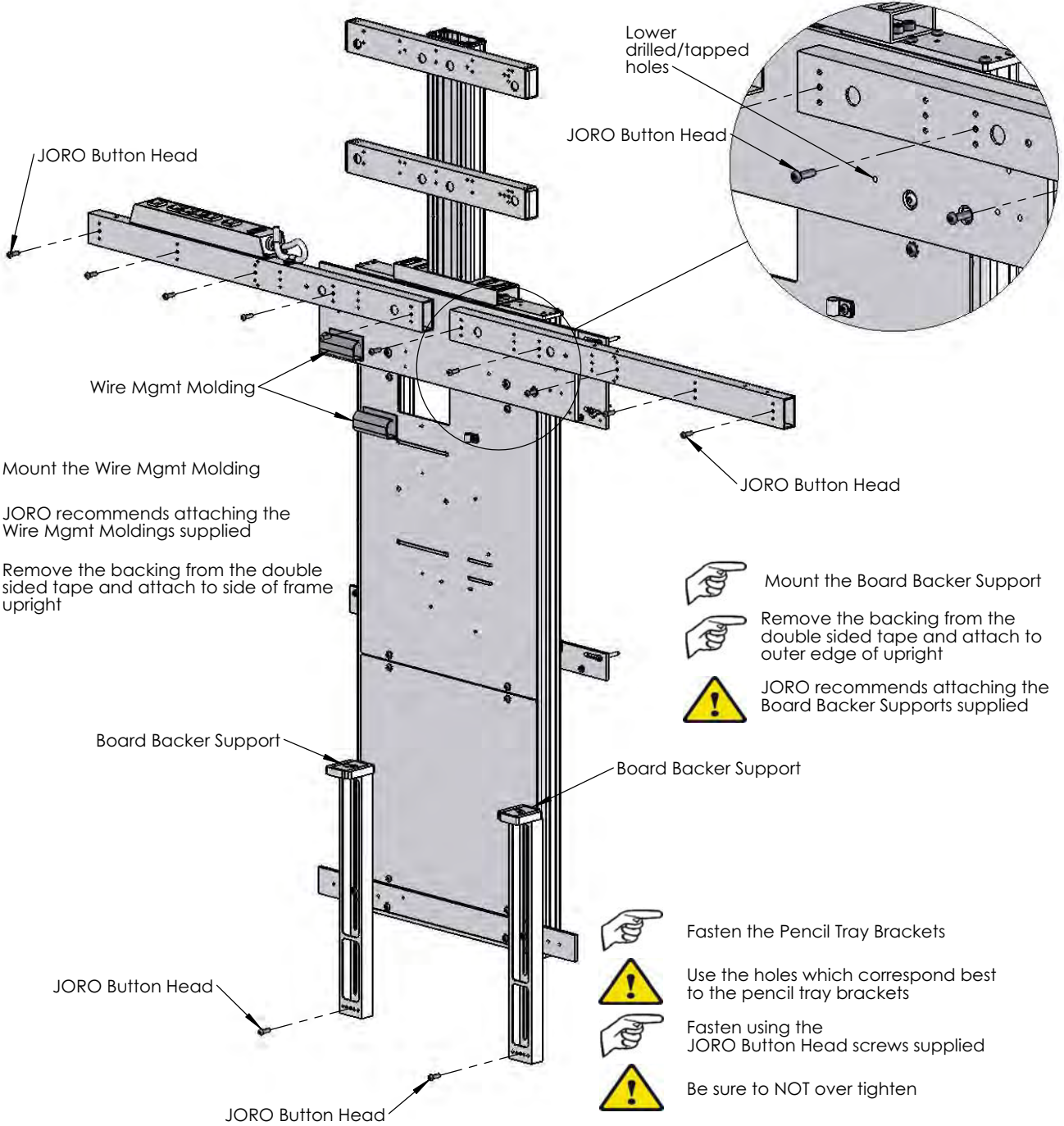
Fasten using the JORO Button Head screws supplied



Be sure to NOT over tighten



Note, there are drilled/tapped holes on the mounting plate, if lowering the board is required



Mount the Wire Mgmt Molding



JORO recommends attaching the Wire Mgmt Moldings supplied



Remove the backing from the double sided tape and attach to side of frame upright



Mount the Board Backer Support



Remove the backing from the double sided tape and attach to outer edge of upright



JORO recommends attaching the Board Backer Supports supplied



Fasten the Pencil Tray Brackets



Use the holes which correspond best to the pencil tray brackets



Fasten using the JORO Button Head screws supplied



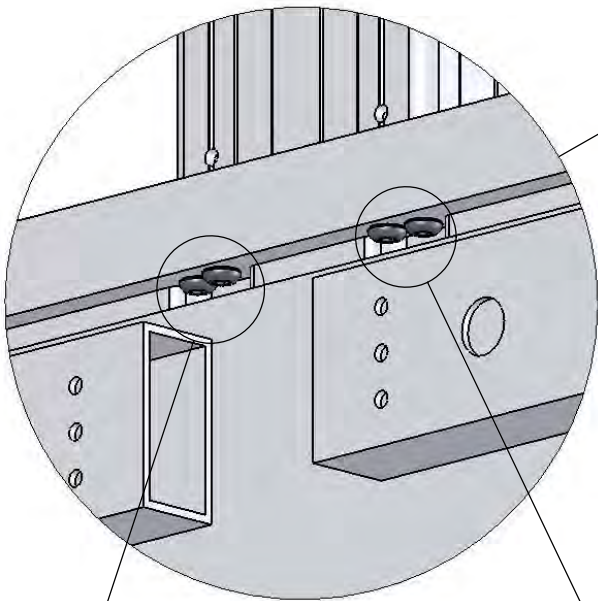
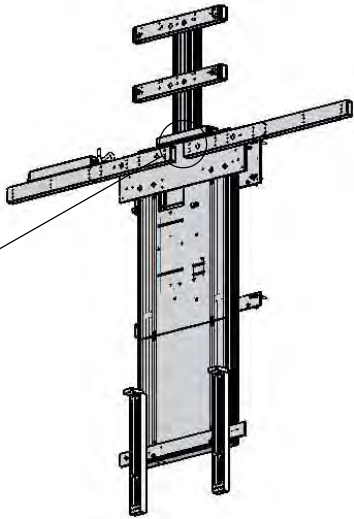
Be sure to NOT over tighten



Elevate Your Workspace



11

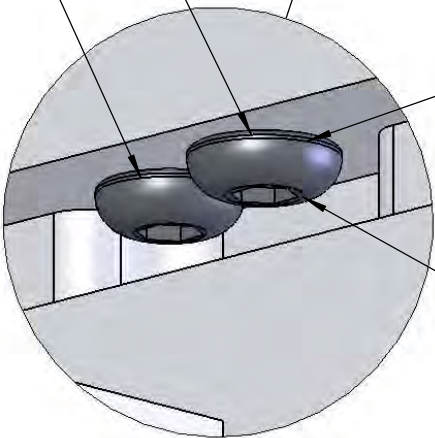


M6x6mm Button Head

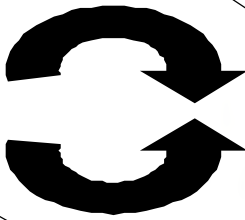
JORO Button Head

M6x6mm Button Head

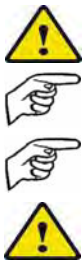
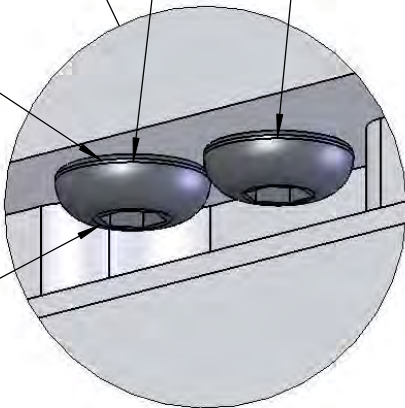
JORO Button Head



To Heighten



To Lower



Adjusting Turret Head IF NECESSARY

Loosen JORO Button Head Screws 1 turn each side

Adjust the M6x6mm Button Head Screws accordingly

Be sure re-tighten JORO Button Head Screws - DO NOT OVER TIGHTEN!



Elevate Your Workspace

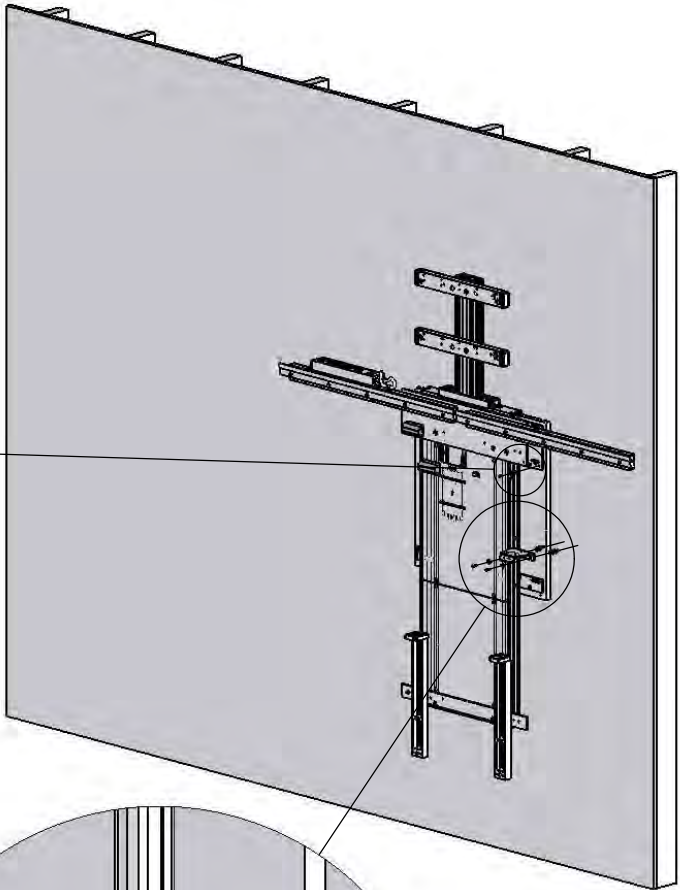
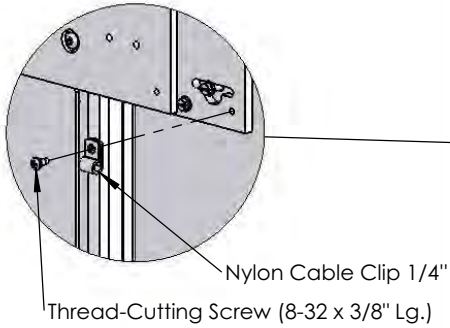
www.joromfg.com

www.proliftstand.com

COPYRIGHT 2017



12



Mount the Cable Clamp for wire management



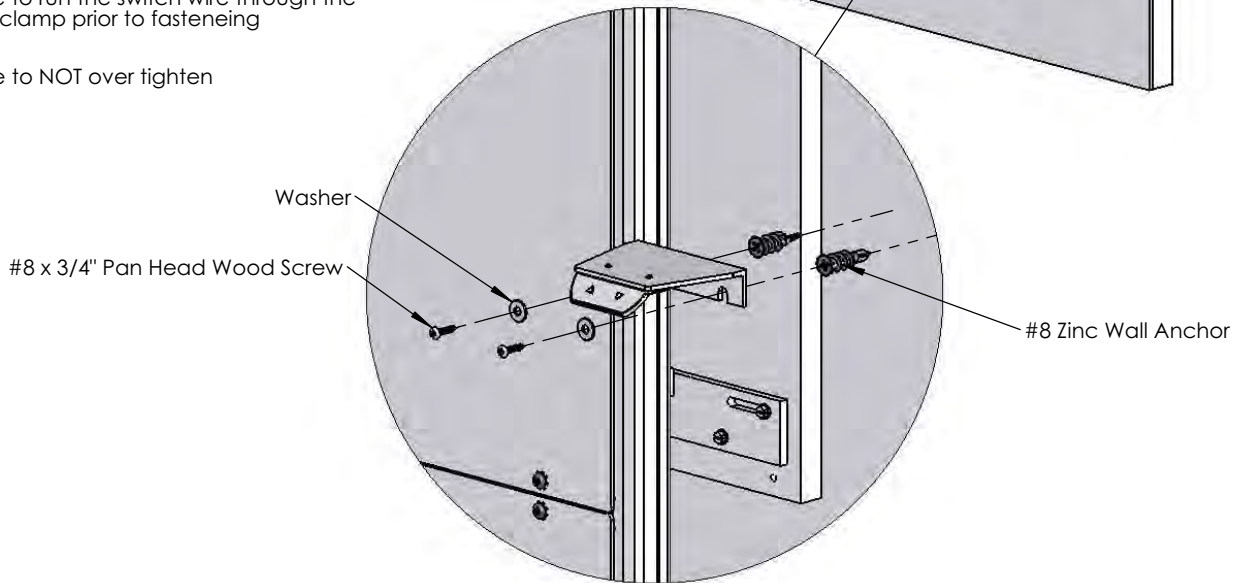
Switch can be mounted on either side of frame



Be sure to run the switch wire through the cable clamp prior to fasteneing



Be sure to NOT over tighten



Mount the Switch Assembly



Be sure to use the fasteners and accessories supplied



Be sure to NOT over tighten



Elevate Your Workspace

www.joromfg.com

www.proliftstand.com

COPYRIGHT 2017

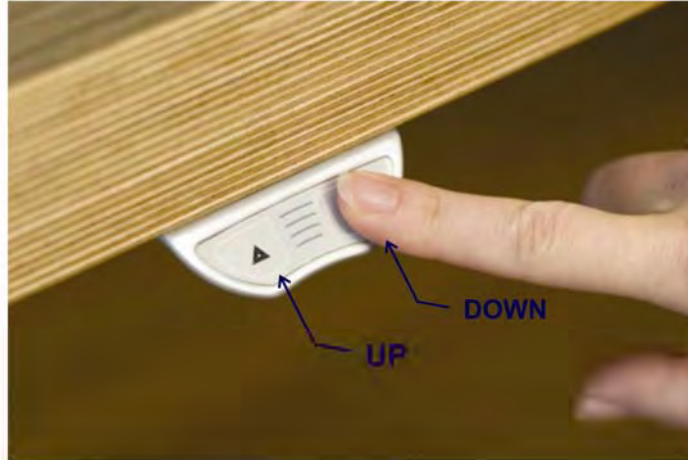


HOW TO USE YOUR Workstation SWITCH HSM

- On startup, please ensure that:

Power cord & motor cables are all plugged in
Surfaces can move vertically without obstruction

- Drive Up/Down



- Mounting Guidelines:

The HSM can be mounted on the desktop so that the keys are facing upwards and outwards.

- Normal operation:

To run the workstation up or down, press the UP or DOWN button, and keep it pressed until the workstation reaches the desired height.

Workstation will slow down to a soft stop at the end of stroke.

- Reset (May have to preform reset more than once)

This function allows user to reset (initialize) the workstation

Make sure there are no obstructions in the path of travel of the workstation.

Make sure ALL legs are plugged into controller.

Make sure there is no obvious cable damage.

Press and hold down button until workstation reaches lowest height.

Release button and immediately press again and hold for approximately 15 seconds.

Workstation will move downwards and then bounce back upwards approximately 1/2".

The reset sequence is now complete.