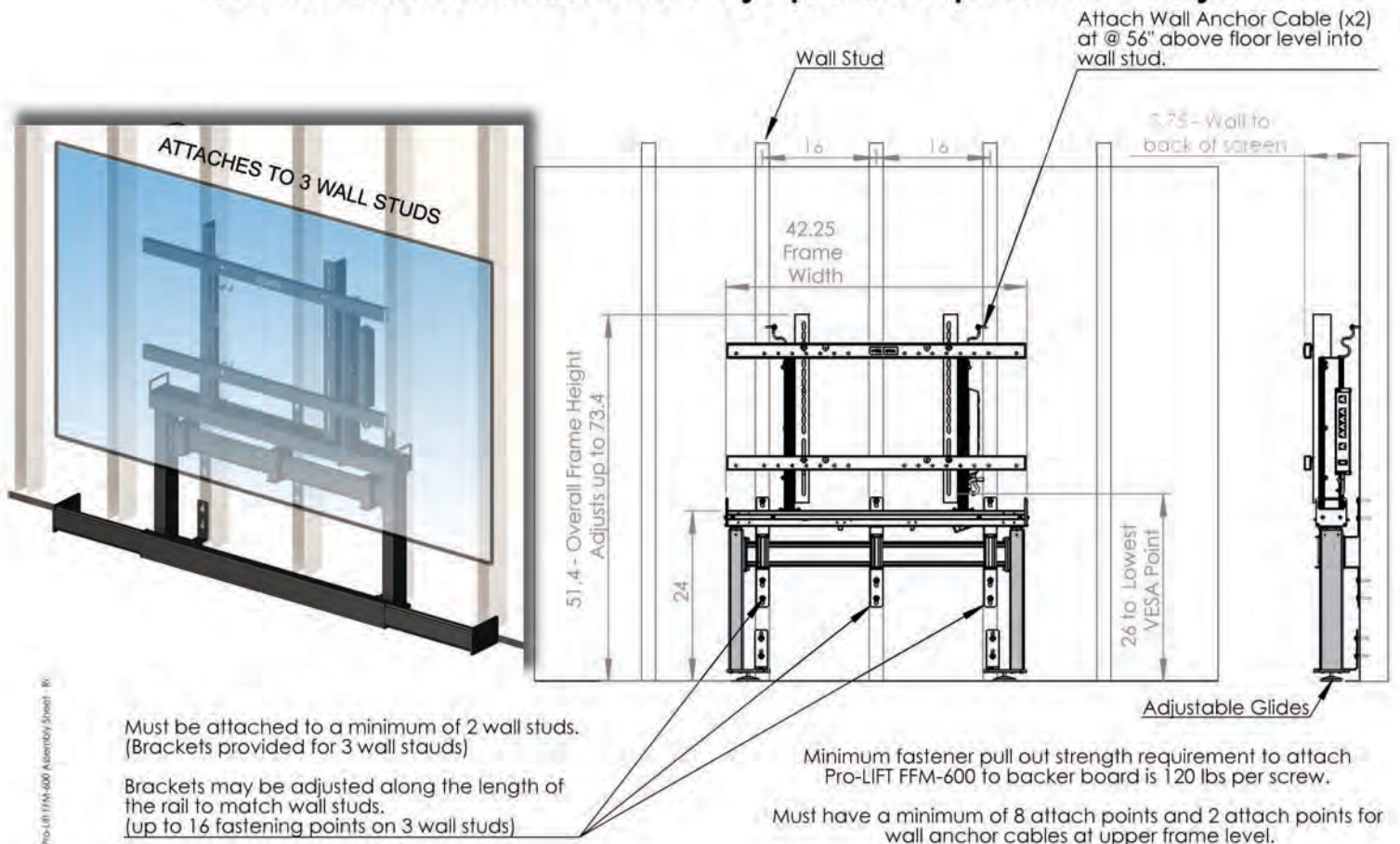


Installation Guidelines

The FFM-600 design provides the utmost install security and flexibility by attaching to 3 wall studs @ 16" centers.

- Accommodates LED/LCD panels up to 86" diagonal
- Supports LCD / LED panels up to 225 lbs
- Standard VESA up to 1000 (200, 300, 400, 500, 600, 700, 800, 1000) x 600 (multi-variable)
- Floor support legs reduces the wall load requirements
- Electric height adjustment of 22" (Max 5 amp wall plug in required)
- Attaches to 3 wall studs @ 16" centers - for a total of 12 wall anchor and 4 floor anchor points
- Wall anchor cables provide added installation security
- Wide frame provides lateral support and minimizes flex on larger panels

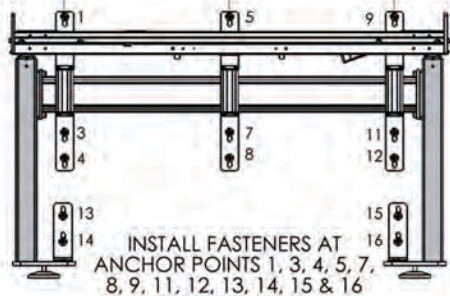
Consult your local building codes for area requirements.
Installation must be done by qualified personnel only.



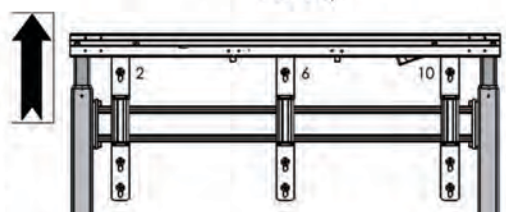
ENSURE FRAME IS LEVEL



Recommend Fastening
to at least TWO (2) Studs



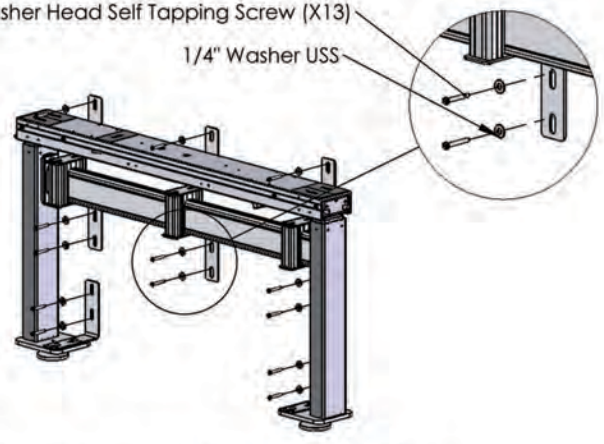
INSTALL FASTENERS AT
ANCHOR POINTS 1, 3, 4, 5, 7,
8, 9, 11, 12, 13, 14, 15 & 16
(SEE BELOW FOR
REMAINING ANCHOR
POINTS)



POWER UP UNIT & RAISE
FRAME TO ACCESS ANCHOR
POINTS 2, 6 & 10

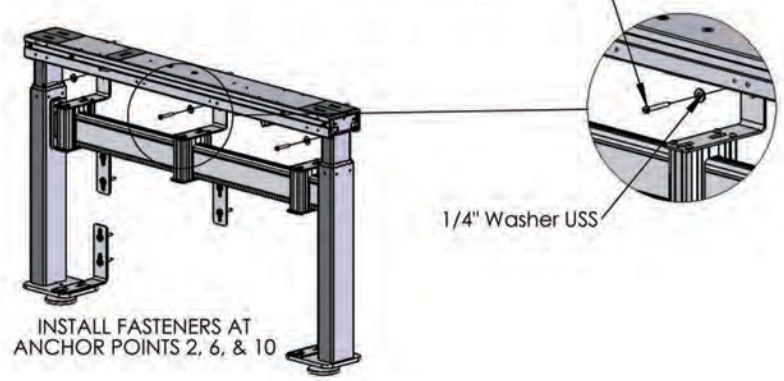
12 x 2" Lg. Slotted Hex Washer Head Self Tapping Screw (X13)

1/4" Washer USS



12 x 2" Lg. Slotted Hex Washer Head Self Tapping Screw (X3)

1/4" Washer USS

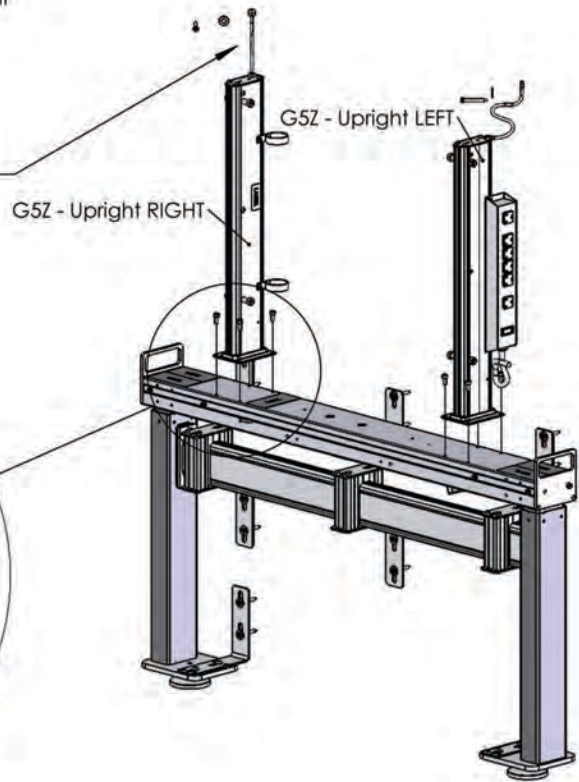


Pro Lift FFM-600 Assembly Sheet Assemblies - Rev 0.004

USING # 12 x 2" Lg. Slotted Hex Washer Head Self
Tapping Screw & 1/4" Washer USS,
ATTACH WALL ANCHOR CABLE INTO STUD
@ 56" ABOVE FLOOR LEVEL

REPEAT FOR OTHER UPRIGHT

RAISE FRAME TO HIGHEST AND LOWEST POINTS
TO ENSURE UNINTERRUPTED MOVEMENT.

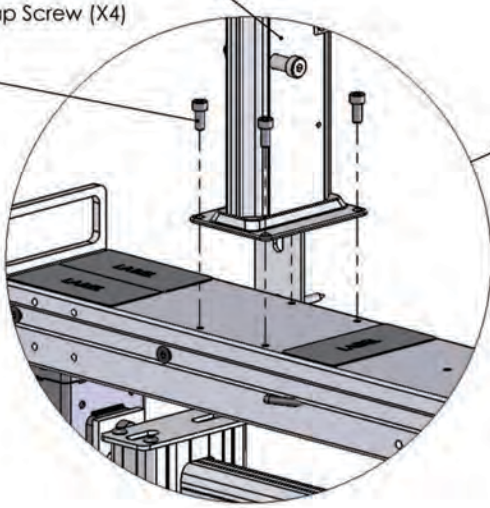


G5Z - Upright RIGHT

G5Z - Upright LEFT

M6 x 14mm Socket Cap Screw (X4)

Repeat for other side
G5Z - Upright LEFT



Pro Lift FFM-600 Assembly Sheet Assemblies - Rev 0.004