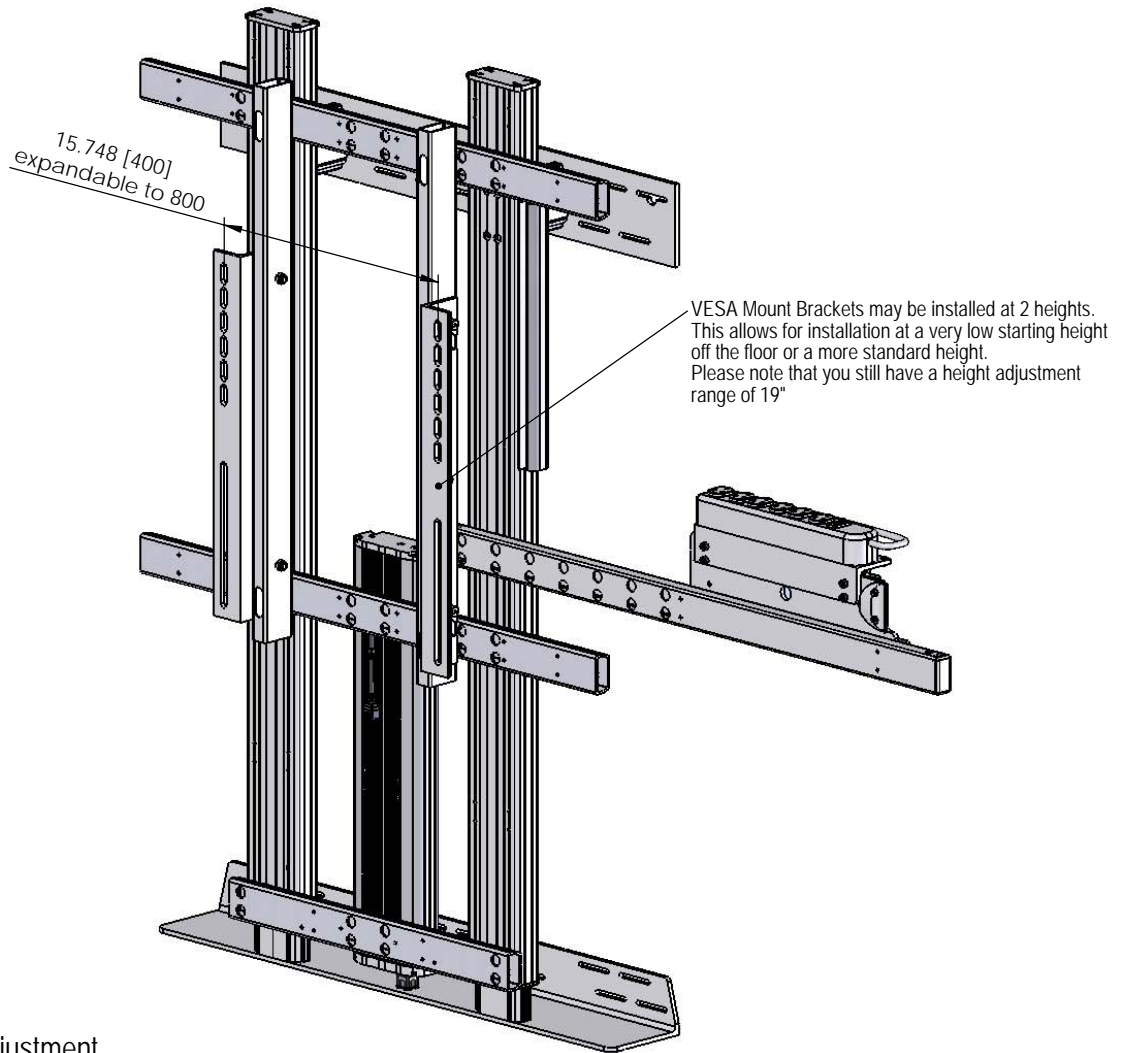




ProLIFT WMHL Packaging				
	Box weight (lbs)	Box Dimensions (inches)		
		L	W	H
ProLIFT WMHL	70	57	34	7
ProLIFT WMHL - Quick facts				
	19" Electric height adjustment			
	** heights do not include projectors / mounts**			
	these items may increase the overall height			
	Maximum lift capacity is 180 lbs			
	this includes LED / LCD			



Pro-LIFT WMHL

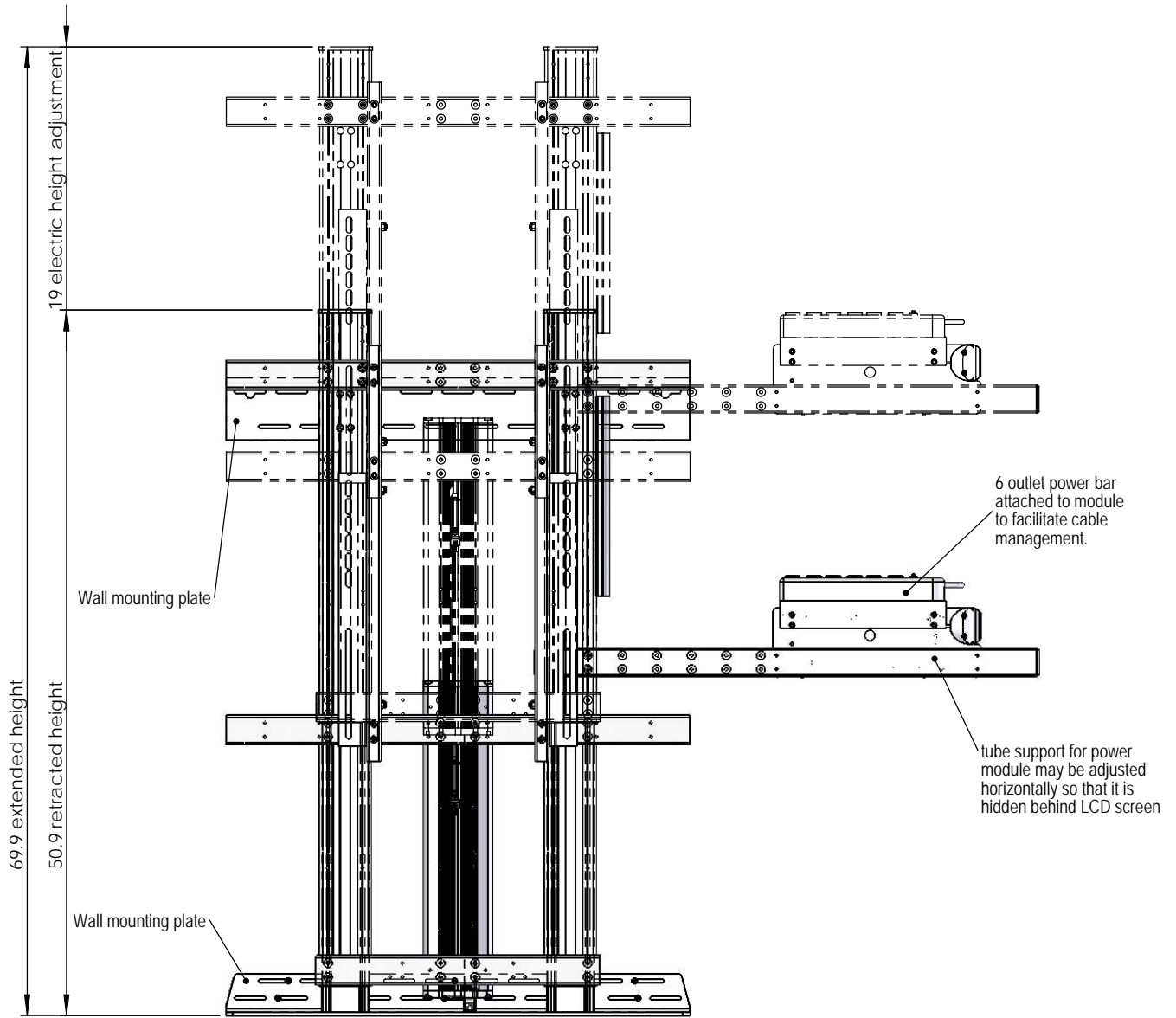
19" motorized height adjustment
 6-outlet power bar
 Integrated cable management
 CSA Tested
 VESA pattern up to 800 x 400
 (200, 400, 600, 800 x infinite vertical adjustment up to 400)
 Installation according to local building codes - qualified personnel only.
 Tools Included - approx. 25 minute assembly.
 Fasteners and backer boards not included.
 Lift capacity 180 lbs

PROLIFT Elevate Your Workspace

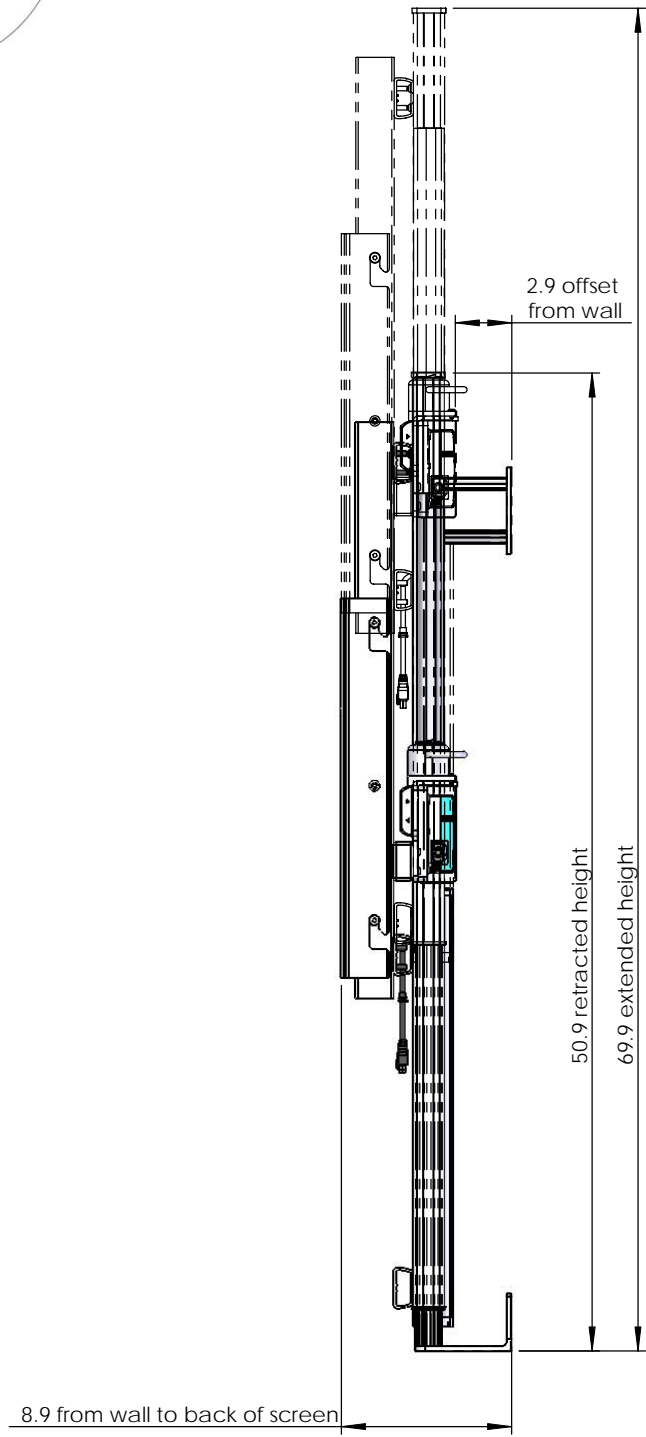
www.joromfg.com

www.proliftstand.com

COPYRIGHT 2014



PROLIFT Elevate Your Workspace



PROLIFT

Elevate Your Workspace

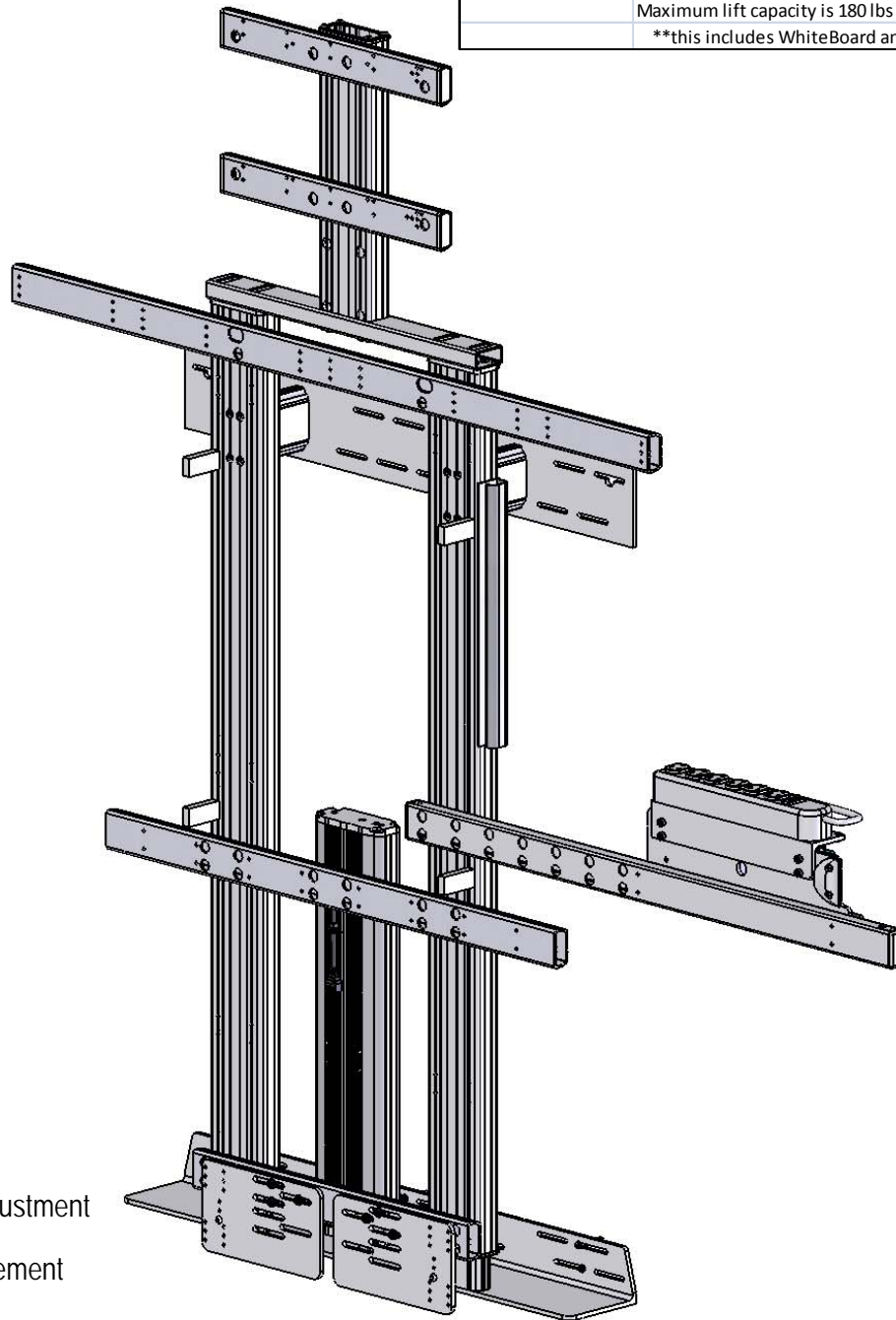
www.joromfg.com

www.proliftstand.com

COPYRIGHT 2014



ProLIFT WMHW Packaging				
	Box weight (lbs)	Box Dimensions (inches)		
		L	W	H
ProLIFT WMHW	70	57	34	7
ProLIFT WMHW - Quick facts				
19" Electric height adjustment				
** heights do not include projectors / mounts**				
these items may increase the overall height				
Maximum lift capacity is 180 lbs				
this includes WhiteBoard and Projector				



Pro-LIFT WMHW

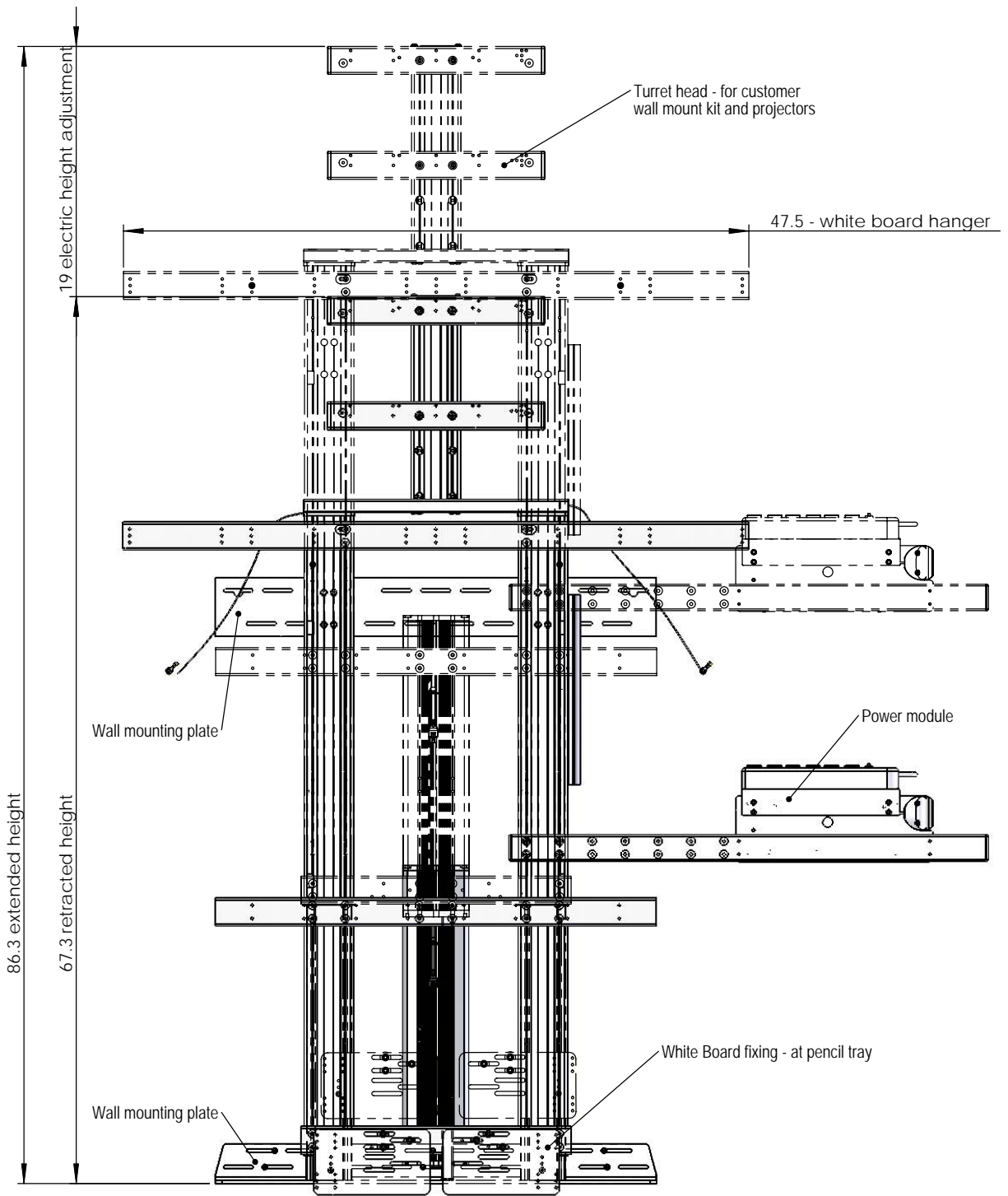
- 19" motorized height adjustment
- 6-outlet power bar
- Integrated cable management
- CSA Tested
- WhiteBoard / Projector combination.
- Installation according to local building codes - qualified personnel only.
- Tools Included - approx. 25 minute assembly.
- Fasteners and backer boards not included.
- Lift capacity 180 lbs

PROLIFT Elevate Your Workspace

www.joromfg.com

www.proliftstand.com

COPYRIGHT 2014



PROLIFT

Elevate Your Workspace

www.joromfg.com

www.proliftstand.com

COPYRIGHT 2014