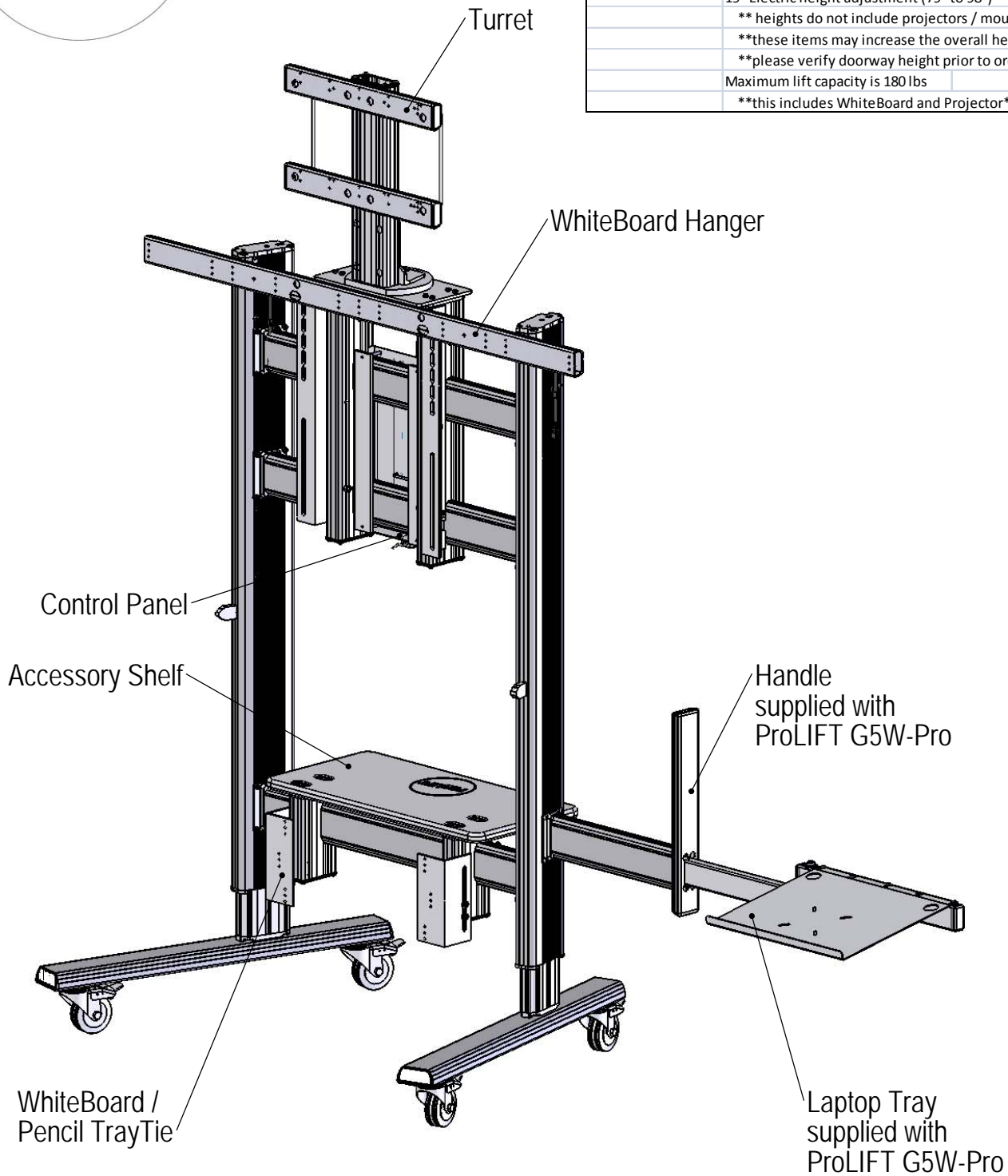


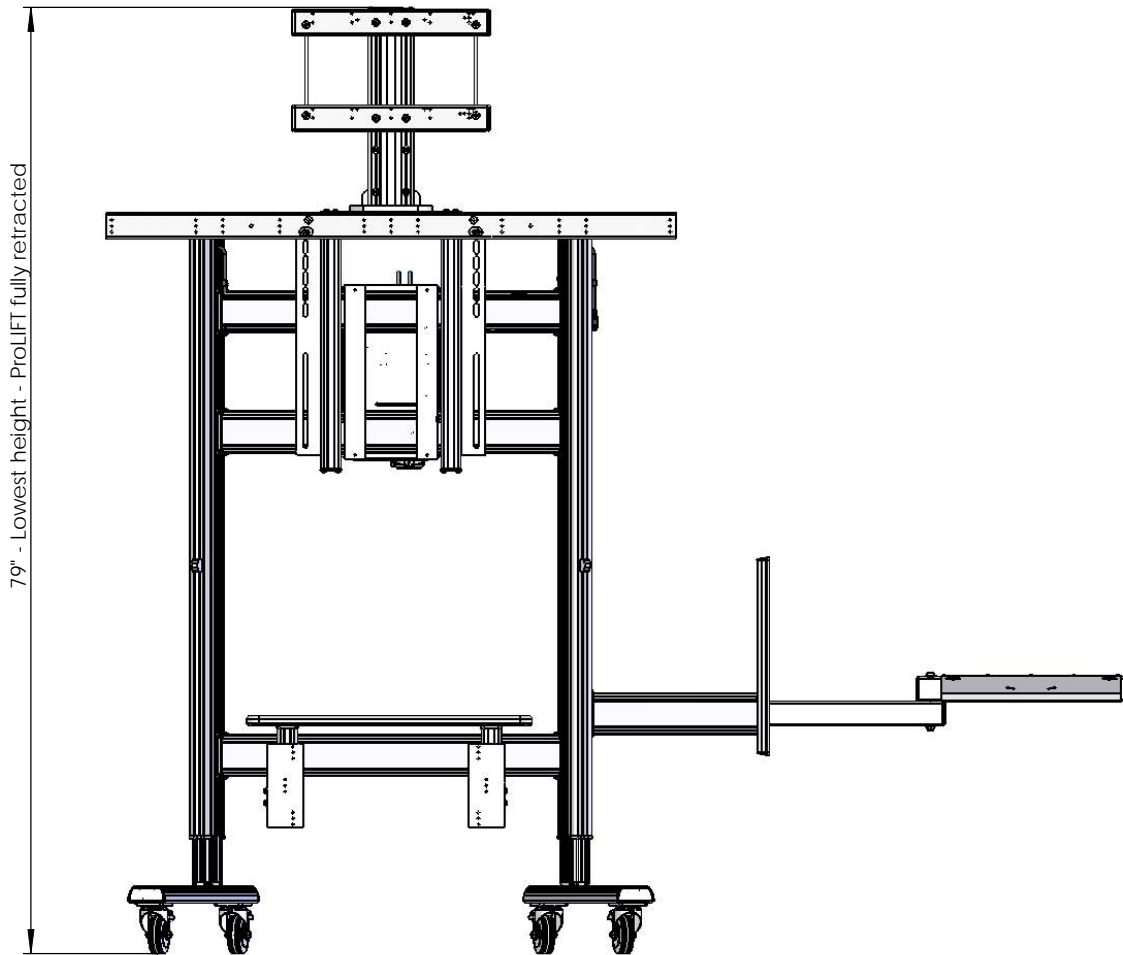
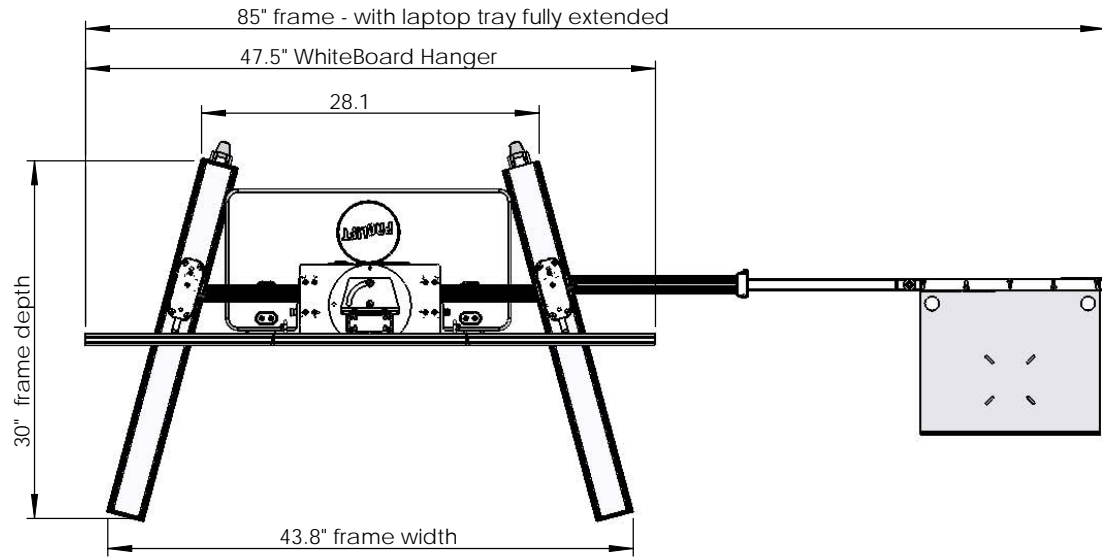


ProLIFT G5 Packaging				
	Box weight (lbs)	Box Dimensions (inches)		
		L	W	H
ProLIFT G5W	95	57	34	7
ProLIFT G5W-Pro	107	57	34	7
ProLIFT G5W - Quick facts				
19" Electric height adjustment (79" to 98")				
** heights do not include projectors / mounts**				
these items may increase the overall height				
please verify doorway height prior to order				
Maximum lift capacity is 180 lbs				
this includes WhiteBoard and Projector				



Technical Spec Sheet - ProLIFT G5W and ProLIFT G5W-Pro

PROLIFT Elevate Your Workspace



PROLIFT Elevate Your Workspace

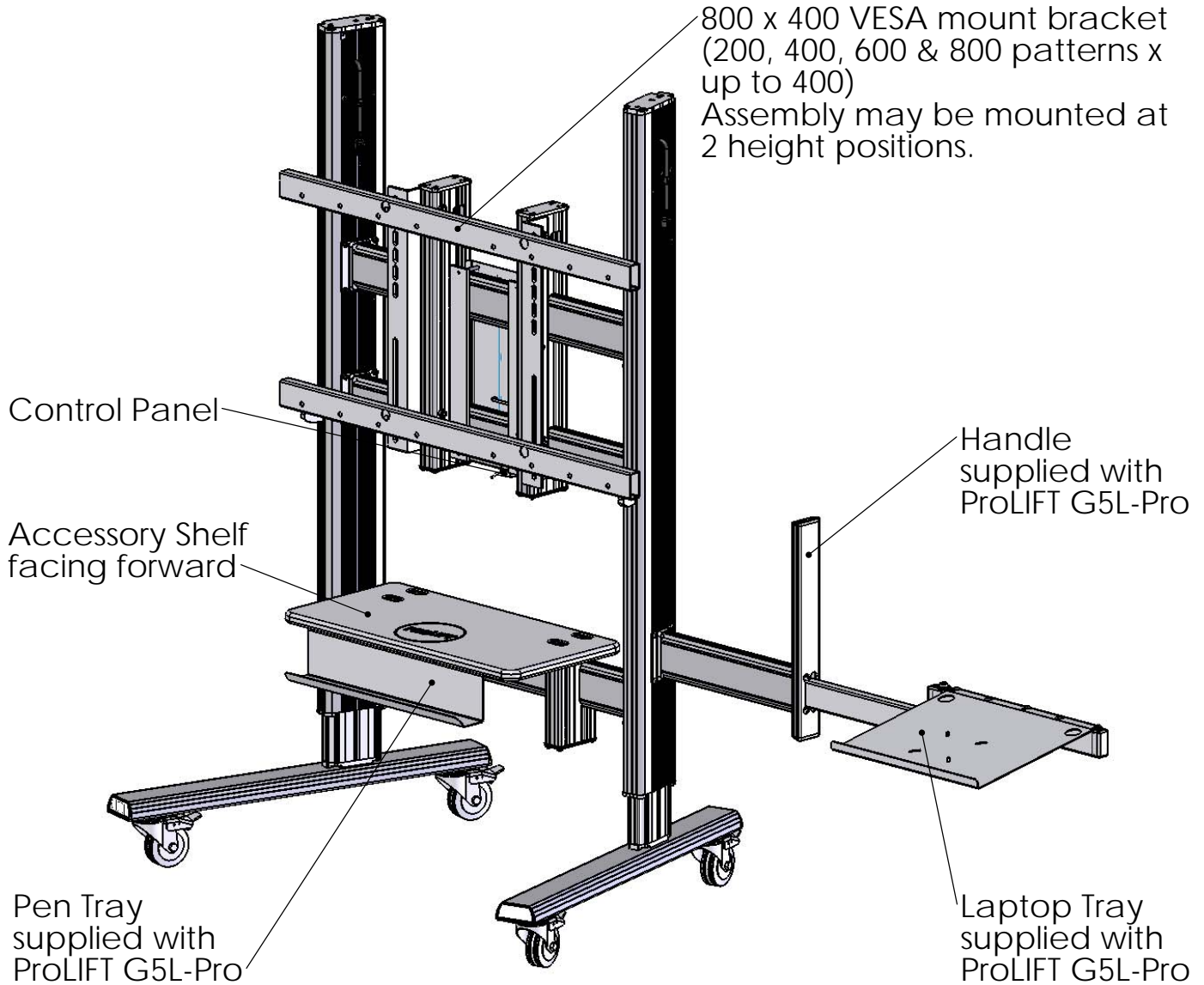
www.joromfg.com

www.proliftstand.com

COPYRIGHT 2014

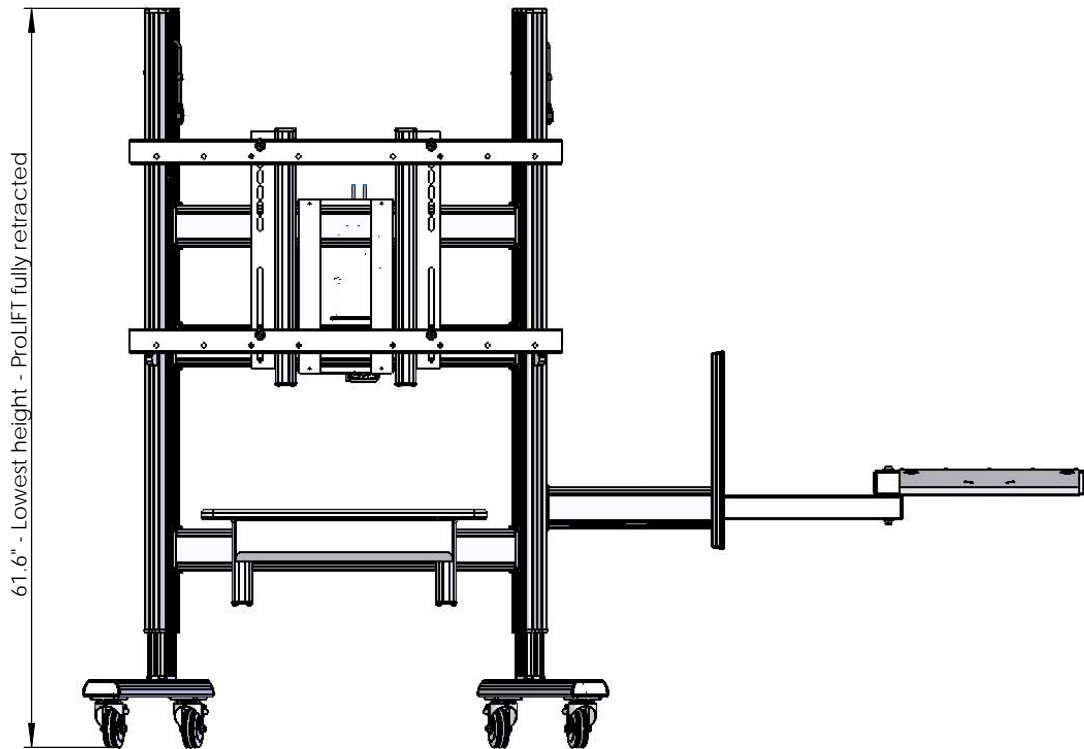
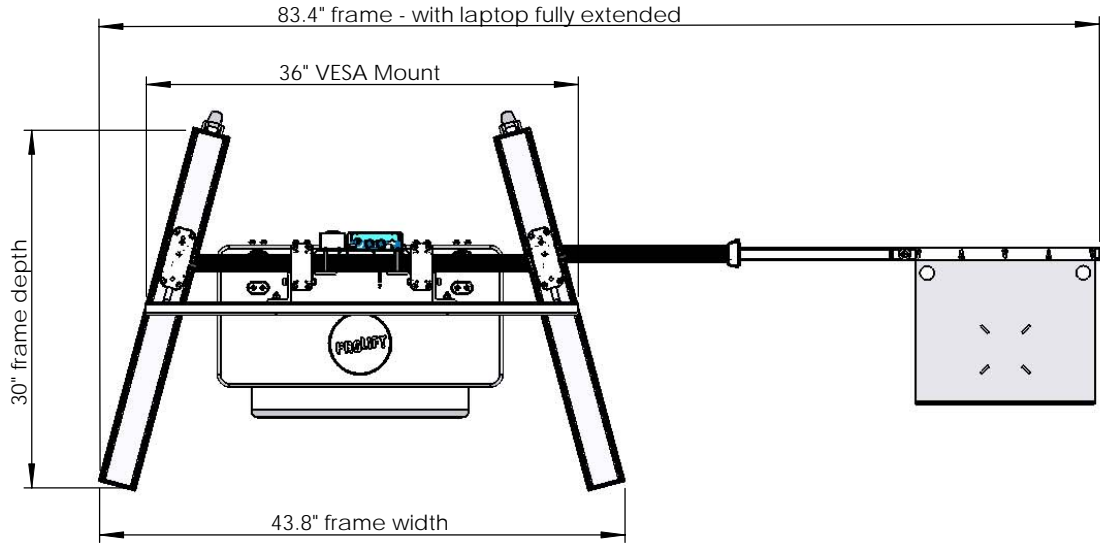


ProLIFT G5 Packaging				
	Box weight (lbs)	Box Dimensions (inches)		
		L	W	H
ProLIFT G5L	95	57	34	7
ProLIFT G5L-Pro	107	57	34	7
ProLIFT G5L - Quick facts				
19" Electric height adjustment (61.6" to 80.6")				
** heights do not include projectors / mounts**				
these items may increase the overall height				
please verify doorway height prior to order				
Maximum lift capacity is 300 lbs				
this includes LED / LCD				



Technical Spec Sheet - ProLIFT G5L and ProLIFT G5L-Pro

PROLIFT Elevate Your Workspace



PROLIFT Elevate Your Workspace

www.joromfg.com

www.proliftstand.com

COPYRIGHT 2014