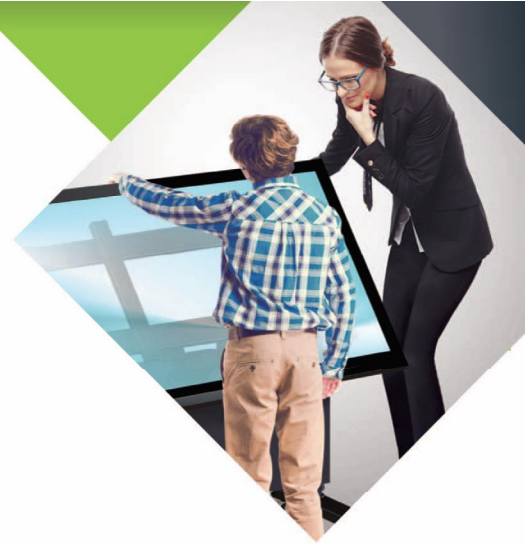


PROLIFT

► The NESTOR - DESIGNED FOR COLLABORATION

Designed according to ADA standards

From our Professional line, this stand is made to fit Interactive Flat Panel Displays up to 150 lbs and comes standard with a VESA Mount.



**ELECTRIC TILT ADJUSTMENT
FROM HORIZONTAL TO VERTICAL**



**ELECTRIC HEIGHT
ADJUSTMENT OF 16"**

EASY TO MANEUVER

GSZELT

for IFP Displays

Electric height and tilt adjustment with control switch.



FEATURES

Electric height adjustment of screen

Electric screen tilt adjustment from horizontal to vertical

Standard programmable control switch panel offers independent height and tilt adjustment

150 lbs maximum screen weight

65" maximum screen size. (Note: please confirm with your screen supplier that your panel is suitable for horizontal application)

Standard VESA pattern – up to 600 x 400

Mobile solution with total lock casters

Default finish is black.

Optional Accessories:



LAPTOP TRAY



REMOTE CONTROL



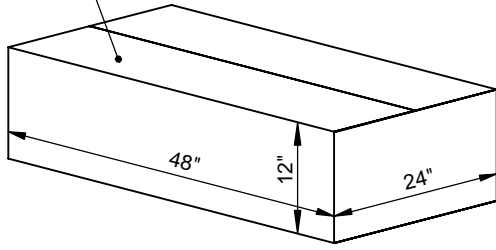
For ordering & additional information:
WWW.PROLIFTSTAND.COM

JORO
elevate your workspace

G5ZELT

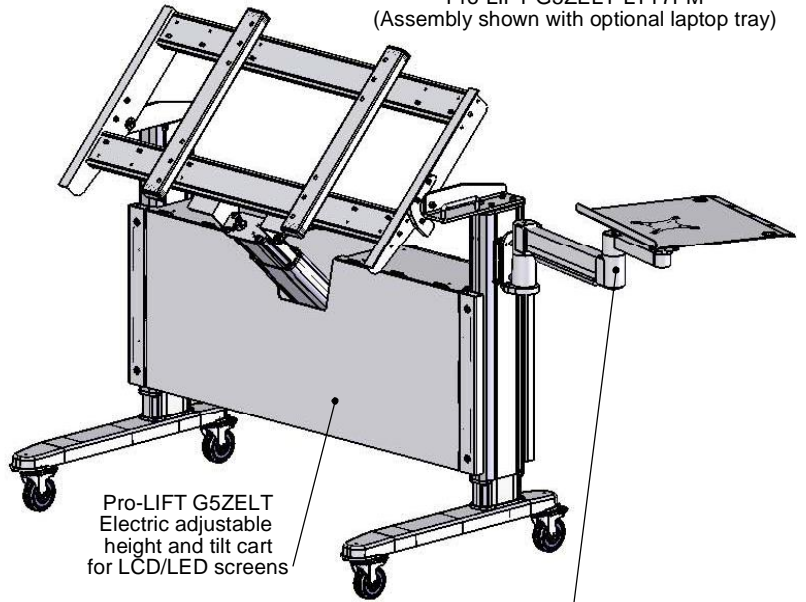
Specifications

Shipping Box



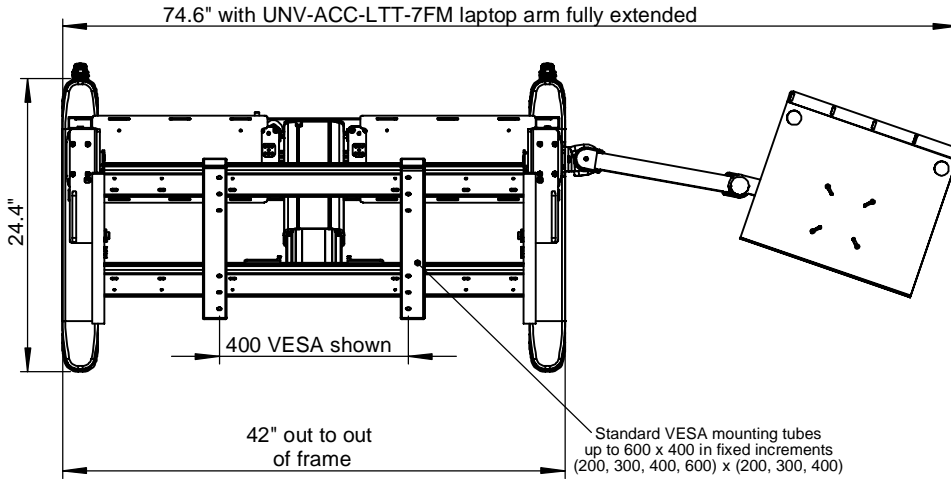
Shipping Box Weights
 Pro-LIFT G5ZELT @ 80 lbs
 Pro-LIFT G5ZELT-LTT7FM @ 95lbs

Pro-LIFT G5ZELT-LTT7FM
 (Assembly shown with optional laptop tray)



Pro-LIFT G5ZELT
 Electric adjustable
 height and tilt cart
 for LCD/LED screens

Pro-LIFT UNV-ACC-LTT-7FM
 (Articulating laptop arm with
 height and swivel features)



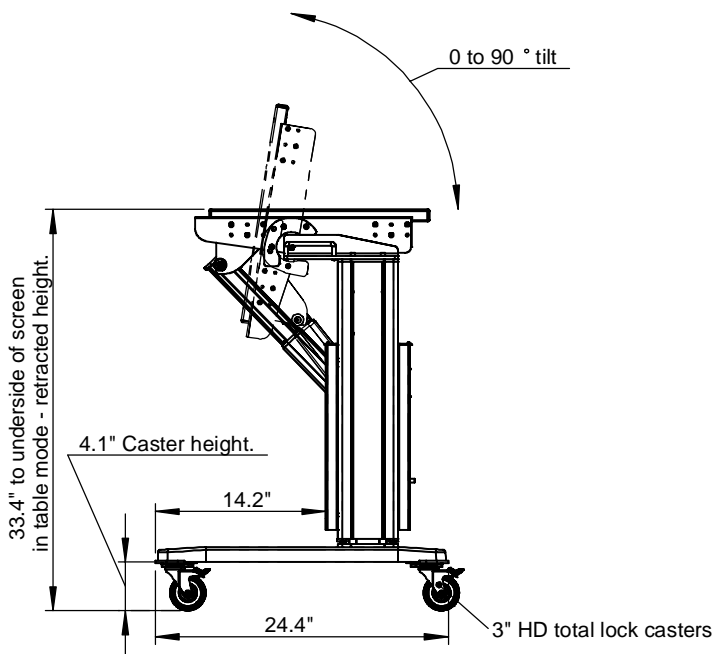
74.6" with UNV-ACC-LTT-7FM laptop arm fully extended

24.4"

400 VESA shown

42" out to out
 of frame

Standard VESA mounting tubes
 up to 600 x 400 in fixed increments
 (200, 300, 400, 600) x (200, 300, 400)



0 to 90 ° tilt

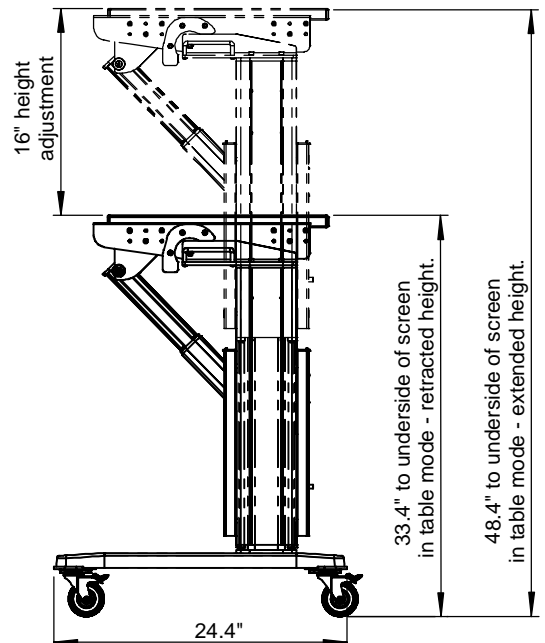
33.4" to underside of screen
 in table mode - retracted height.

4.1" Caster height.

14.2"

24.4"

3" HD total lock casters



16" height
 adjustment

33.4" to underside of screen
 in table mode - retracted height.

48.4" to underside of screen
 in table mode - extended height.

24.4"