

ProLIFT G5W / G5W-Pro

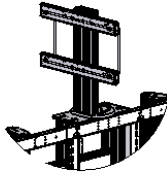
Quick facts:

19" Electric height adjustment (78.8" to 98.8")

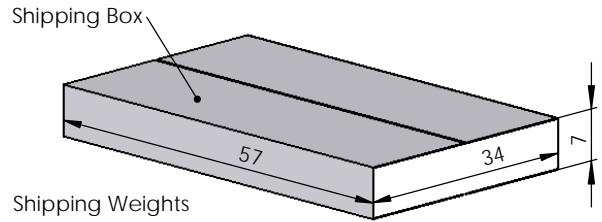
- ** heights do not include projectors/ mounts**
- ** these items may increase the overall height**
- ** please verify doorway height prior to order**



Turret Head at 0° positions your projector in ready to use orientation

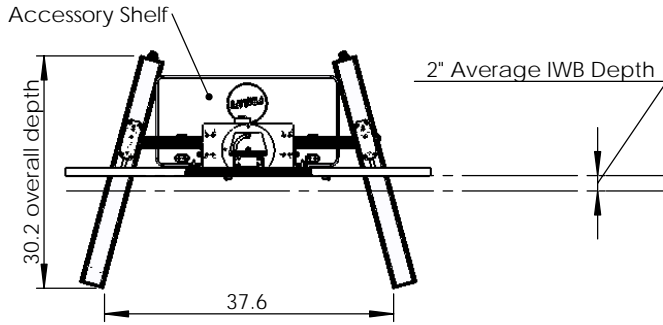


Rotated Turret Head at 90° positions your projector for easy movement through doorways

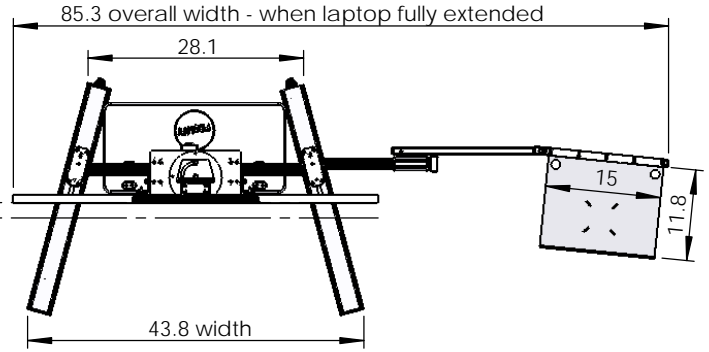


Shipping Box

Shipping Weights
 Pro-LIFT G5W @ 95 lbs
 Pro-LIFT G5W-Pro @ 107 lbs

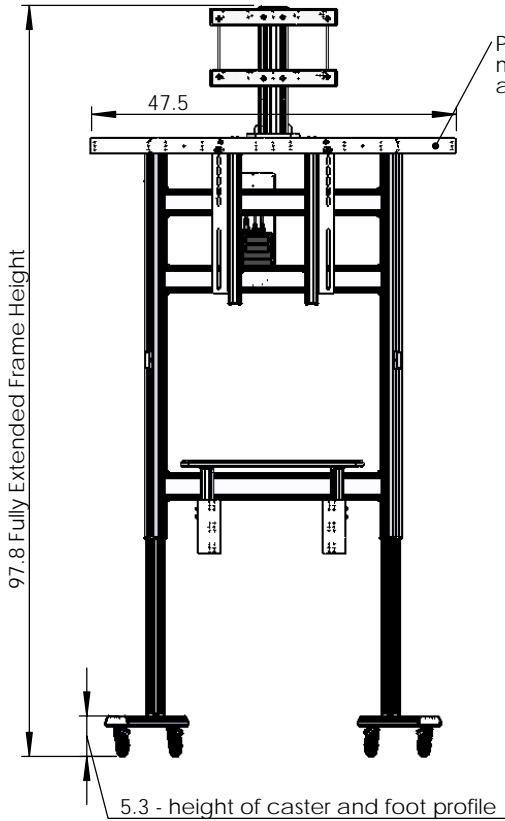


Pro-LIFT G5W

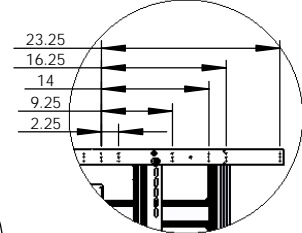
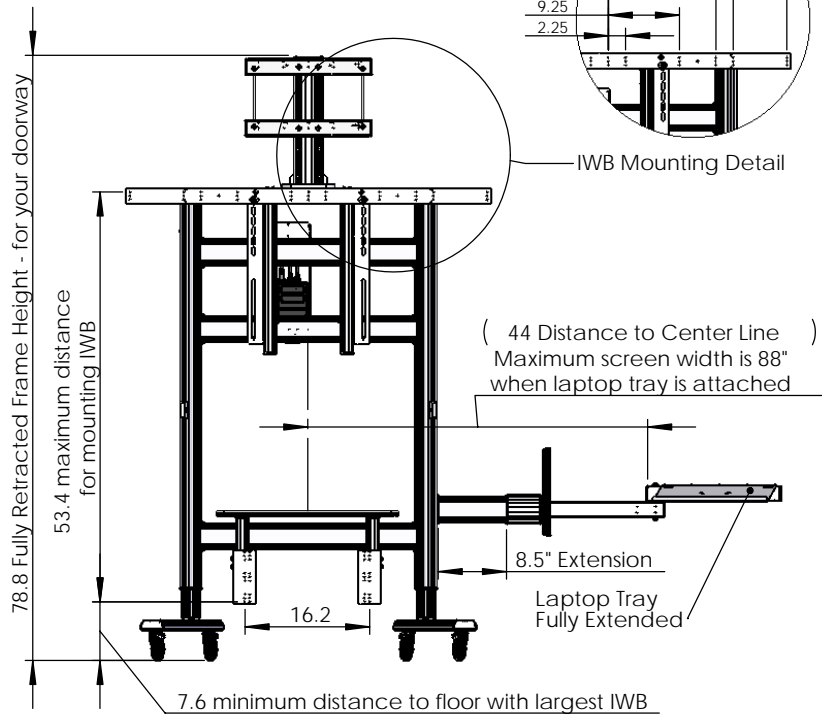


Pro-LIFT G5W-Pro

Same as Pro-LIFT G5W, also includes Laptop tray



Please note that IWB mounting is height adjustable within frame



IWB Mounting Detail

(44 Distance to Center Line)
 Maximum screen width is 88" when laptop tray is attached



Elevate Your Workspace

www.joromfg.com www.proliftstand.com

COPYRIGHT 2014