

ProLIFT G5L / G5L-Pro

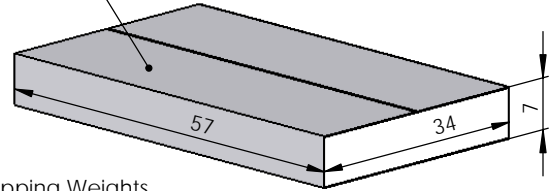
Quick facts:

19" Electric height adjustment (61.3" to 80.3")

Maximum lift capacity is 300 lbs

this includes LED/LCD or IFP and any other accessories

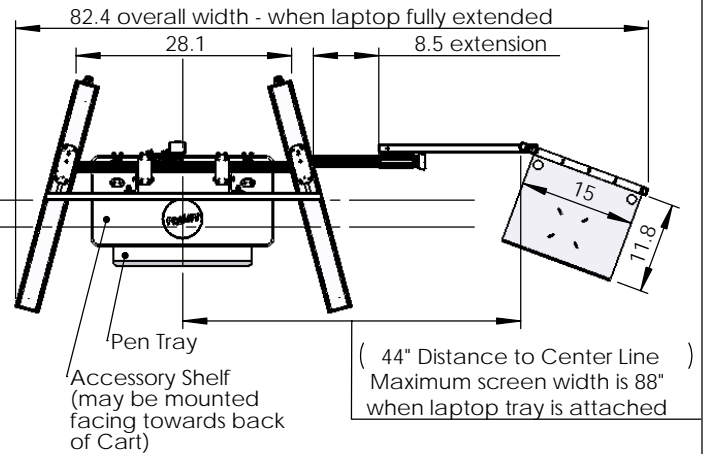
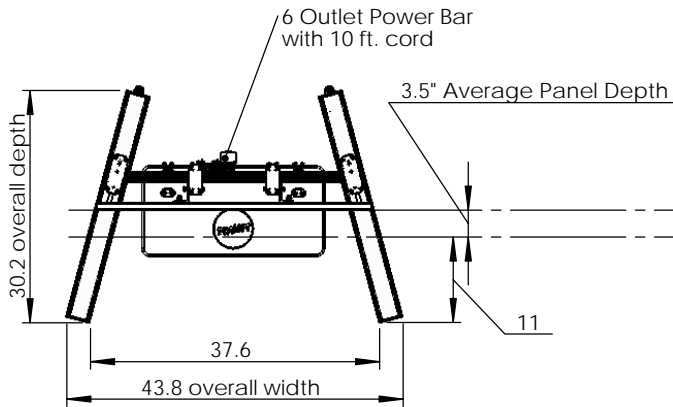
Shipping Box



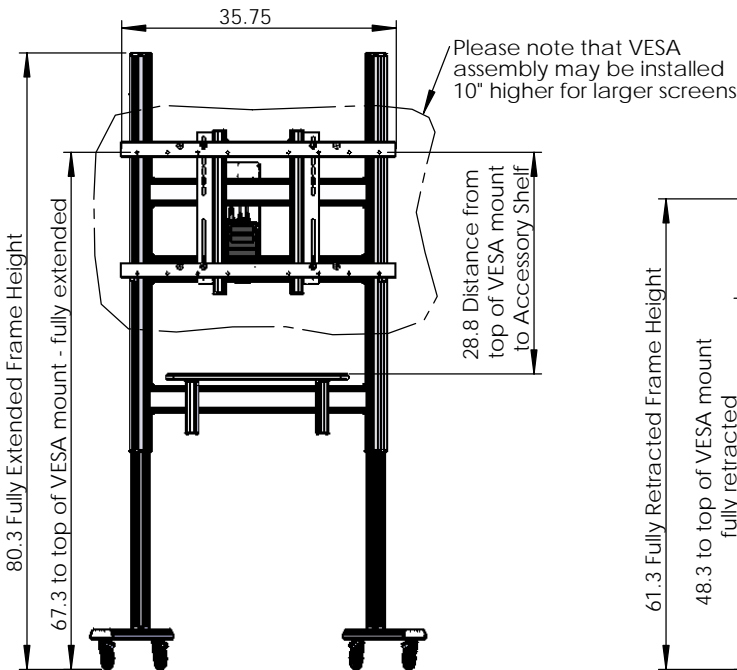
Shipping Weights

Pro-LIFT G5L @ 95 lbs

Pro-LIFT G5L-Pro @ 107 lbs

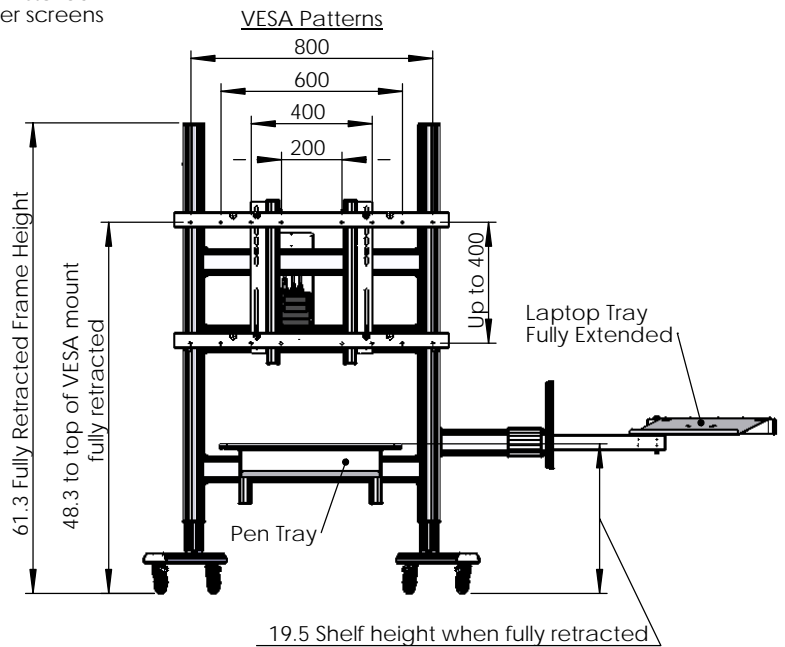


Pro-LIFT G5L



Pro-LIFT G5L-Pro

Same as Pro-LIFT G5L, also includes Laptop tray, Pen Tray and IR Remote



Elevate Your Workspace

www.joromfg.com

www.proliftstand.com

COPYRIGHT 2014

ProLIFT G5W / G5W-Pro

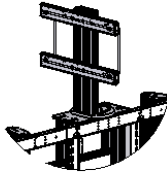
Quick facts:

19" Electric height adjustment (78.8" to 98.8")

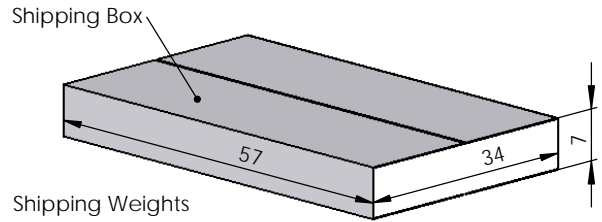
- ** heights do not include projectors/ mounts**
- ** these items may increase the overall height**
- ** please verify doorway height prior to order**



Turret Head at 0° positions your projector in ready to use orientation

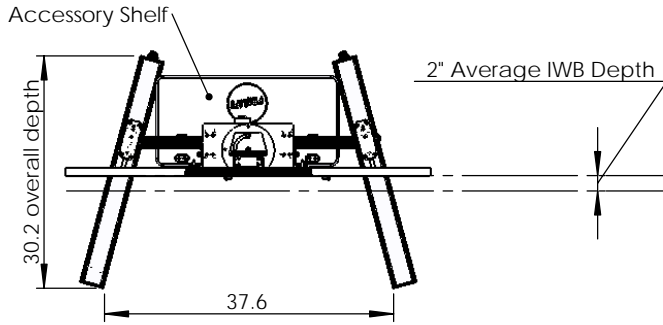


Rotated Turret Head at 90° positions your projector for easy movement through doorways

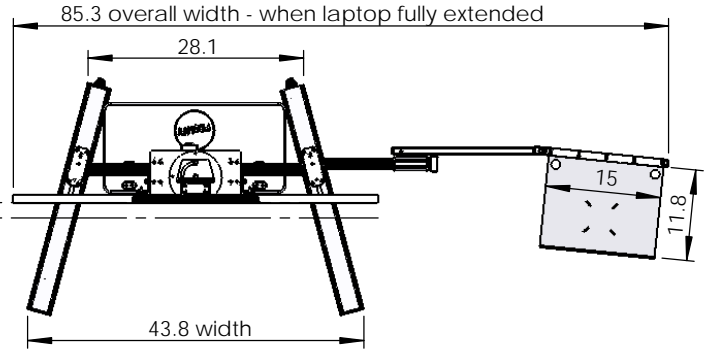


Shipping Box

Shipping Weights
 Pro-LIFT G5W @ 95 lbs
 Pro-LIFT G5W-Pro @ 107 lbs

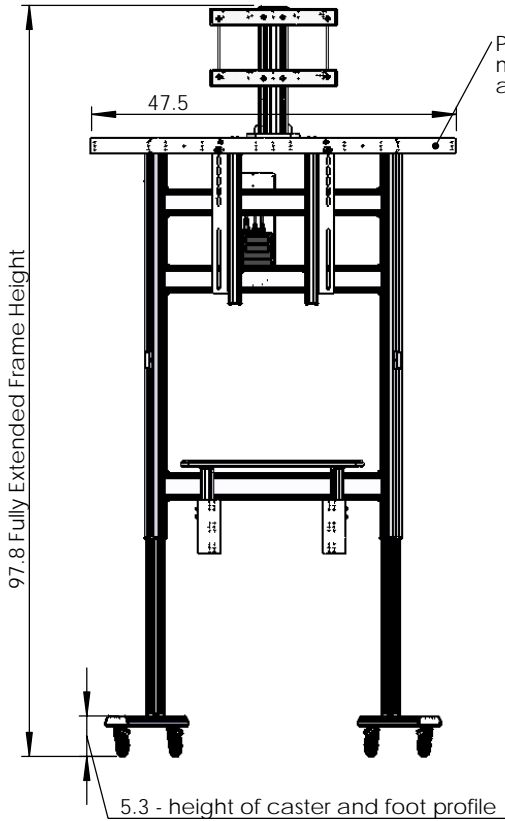


Pro-LIFT G5W

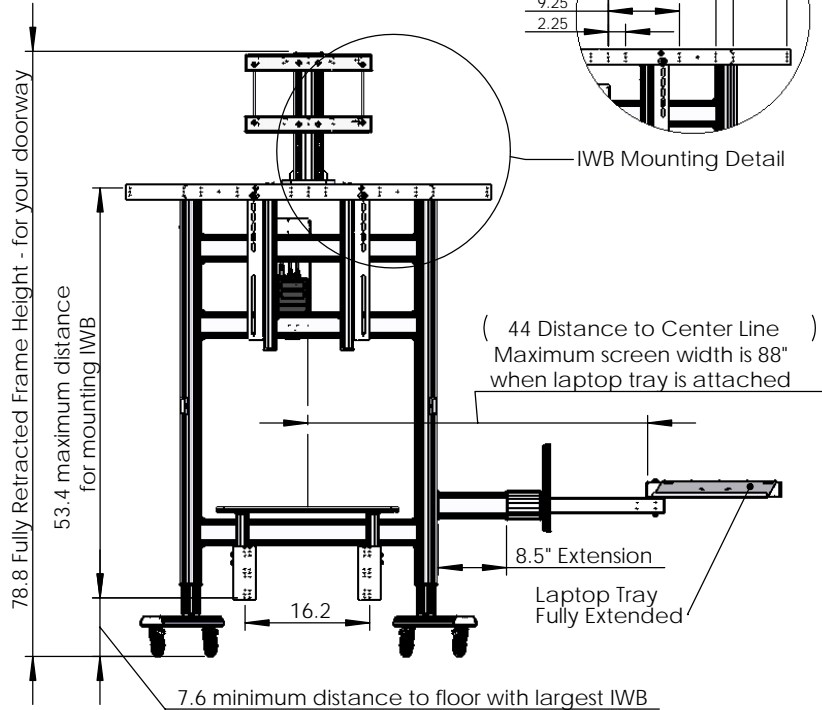


Pro-LIFT G5W-Pro

Same as Pro-LIFT G5W, also includes Laptop tray



Please note that IWB mounting is height adjustable within frame



IWB Mounting Detail

(44 Distance to Center Line)
 Maximum screen width is 88" when laptop tray is attached

Laptop Tray Fully Extended



Elevate Your Workspace

www.joromfg.com

www.proliftstand.com

COPYRIGHT 2014