

PROLIFT

► DESIGNED FOR ACCESSIBILITY



PEREGRINE BY PRO-LIFT

► DESIGNED FOR ACCESSIBILITY

Designed according to ADA standards

From our Professional line, this stand is made to fit LCD/LED TVs up to 255 lbs and comes standard with a VESA Mount



LCD/LED TV's up to 84" diagonal
(max width 80")



LCD/LED TV's up to 255 lbs



Accessible to all and designed according to ADA standards



Easy assembly



Made in North America



Competitively Priced



2-Year Warranty
*extended warranty available



ELECTRIC HEIGHT
ADJUSTMENT OF 22"

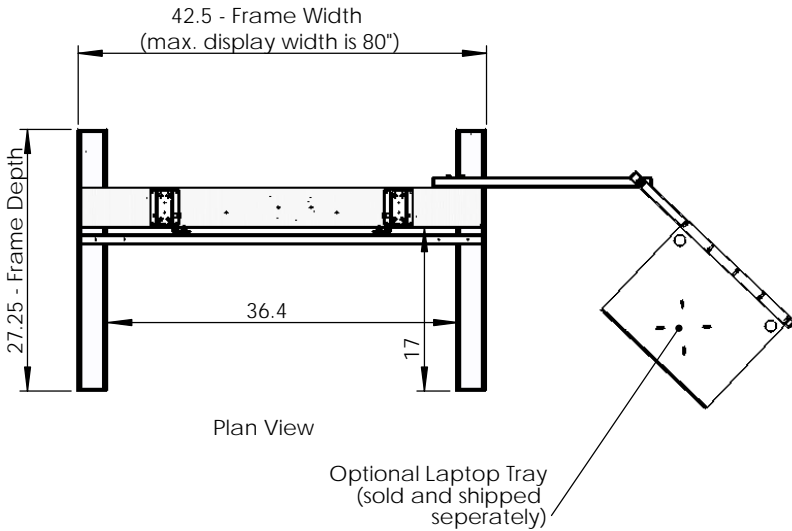
EASY TO MANEUVER

UPGRADED FEATURES

- Now improved to accommodate LCD/LED panels up to 84" (max display width 80")
- New tethered remote control for easy up/down adjustment (standard accessory)
- Supports LCD/LED TV's up to 255 lbs
- Electric height adjustment of 22"
- Standard VESA up to 1000 (200, 300, 400, 600, 800, 1000) x 600 multi-variable
- Heavy duty total locking castors
- Powder coated frame finished - standard colour is RAL 9005 (black)
- Optional Laptop Tray (TLT)
- Optional Video Camera Tray (VCT)

For ordering & additional information:
WWW.PROLIFTSTAND.COM

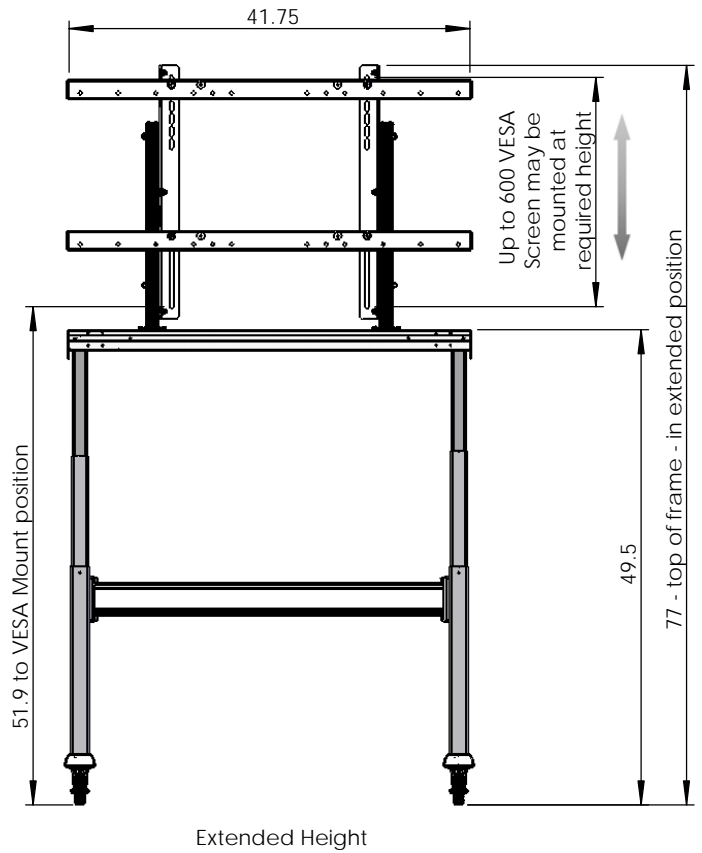
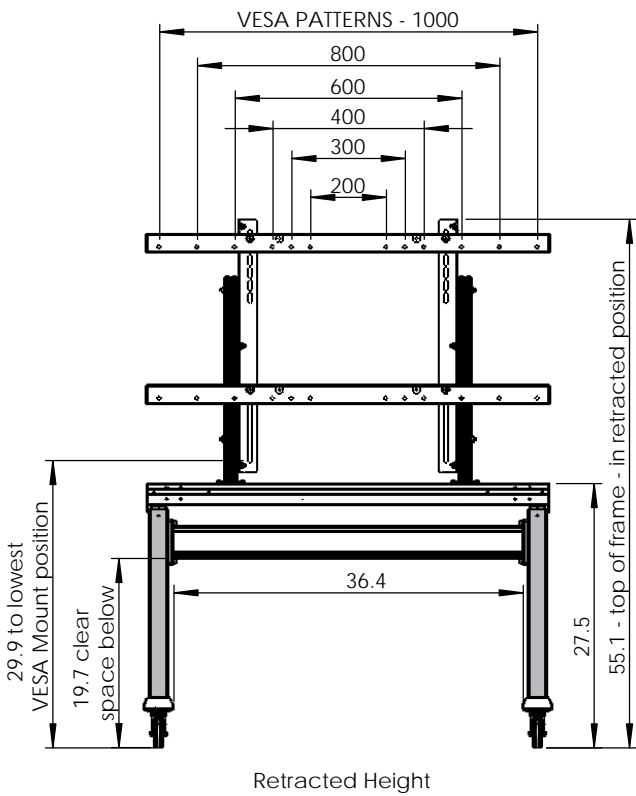
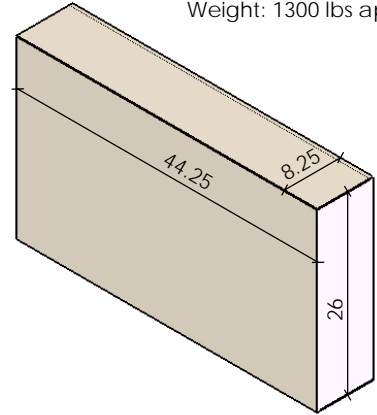
JORO
elevate your workspace



Peregrine - G5ZL Box
(without optional accessories)

Single Unit
Dimensions: 44.25" x 26" x 8.25"
Weight: 100 lbs

Pallet Quantity - 12
Dimensions: 48" x 48" x 56" tall
Weight: 1300 lbs approximately



← Peregrine - G5ZL Cart

Peregrine - G5ZL Optional laptop tray →

Peregrine - Laptop Box
(ships separately)

Single Unit
Dimensions: 23" x 13" x 2.5"
Weight: 10 lbs



Maximum laptop weight
for this accessory is 15 lbs

